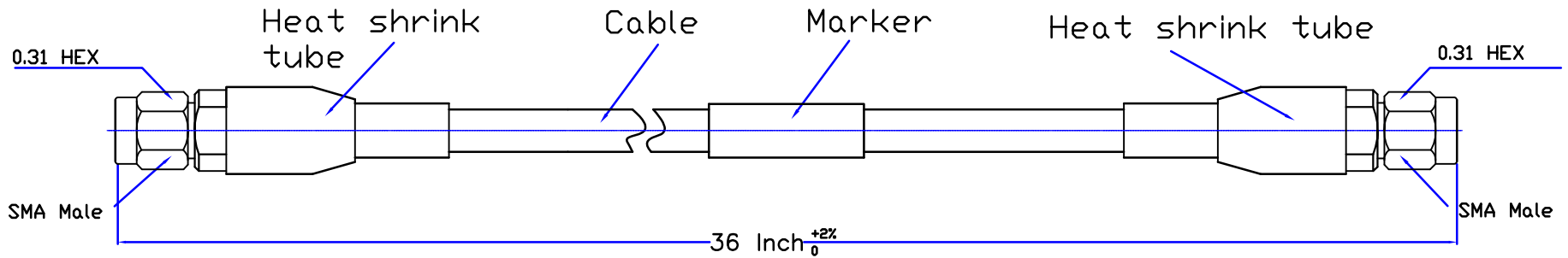


THIS DRAWING UNPUBLISHED		RELEASED FOR PUBLICATION		LDC		DST		REVISIONS				
				-		-		P	LTR	DATE	DWN	APVD
								-	-	-	-	-



NOTES:

- 1.ELECTRICAL:
- 1.1 IMPEDANCE: 50Ω
  - 1.2 INSULATION RESISTANCE:5000MΩ MIN
  - 1.3 FREQUENCY RANGE: DC~26.5GHz
  - 1.4 DIELECTRIC WITHSTANDING VOLTAGE: 1000V MAX AT SEA LEVEL
  - 1.5 VSWR≤1.35:1@DC-26.5GHz
  - 1.6 INSERTION LOSS: ≤2.9dB@26.5GHz

- 2.ENVIRONMENTAL:
- TEMPERATURE RANGE: -55° to +85°

3. CONNECTOR MATERIAL AND FINISH:
- BODY: STAINLESS STEEL TYPE 303, PASSIVATE
  - NUT: STAINLESS STEEL TYPE 303, PASSIVATE
  - CENTER CONTACT: BERYLLIUM COPPER
  - GOLD PLATING
  - DIELECTRIC: PTFE, N/A

THIS DRAWING IS A CONTROLLED DOCUMENT.		DWN	DWP	25/04/2013	HASC0		
		CHK			HyTech Associates Sales Company,Inc		
DIMENSIONS INCHES		TOLERANCES UNLESS OTHERWISE SPECIFIED		APVD	NAME HSB42 Series		
		0 PLC	±0.005	PRODUCT SPEC	26.5GHz Test Cable Assemblies with Excellent Phase and Amplitude Stability vs. Flexure		
		1 PLC	±0.010	APPLICATION SPEC			
		2 PLC	±0.015	WEIGHT	SIZE	CAGE CODE	DRAWING NO
		3 PLC	±0.020		A3	0T8L4	HSB42-S1-S1-36
		4 PLC	±0.025	CUSTOMER DRAWING			
MATERIAL SEE TABLE		FINISH SEE TABLE		SCALE	1:1	SHEET	1 OF 1 RVE 1