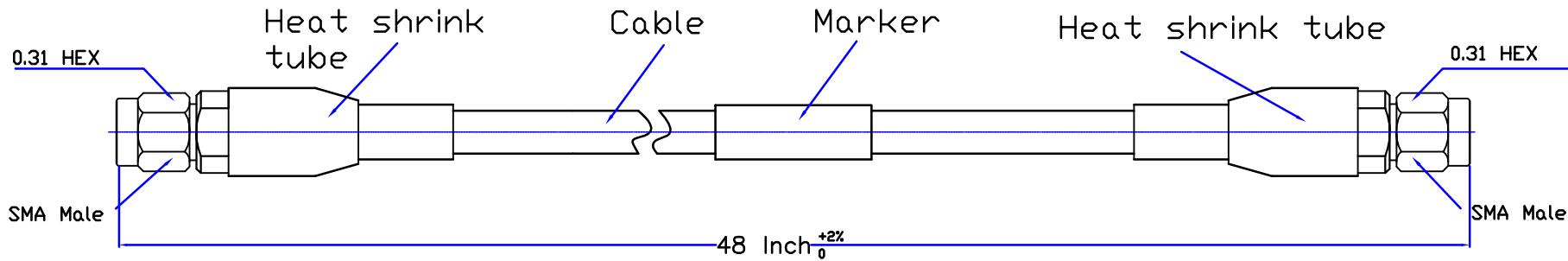


THIS DRAWING UNPUBLISHED		RELEASED FOR PUBLICATION		LOC		DEST		REVISIONS				
				-		-		P	LTR	DATE	DWN	APVD
								-	-	-	-	-



NOTES:

1.ELECTRICAL:

- 1.1 IMPEDANCE: 50Ω
- 1.2 INSULATION RESISTANCE: 5000MΩ MIN
- 1.3 FREQUENCY RANGE: DC~26.5GHz
- 1.4 DIELECTRIC WITHSTANDING VOLTAGE: 1000V MAX AT SEA LEVEL
- 1.5 VSWR ≤ 1.35:1 @ DC-26.5GHz
- 1.6 INSERTION LOSS: ≤ 3.7dB @ 26.5GHz

2.ENVIRONMENTAL:

TEMPERATURE RANGE: -55° to +85°

3. CONNECTOR MATERIAL AND FINISH:

BODY: STAINLESS STEEL TYPE 303, PASSIVATE  
 NUT: STAINLESS STEEL TYPE 303, PASSIVATE  
 CENTER CONTACT: BERYLLIUM COPPER  
 , GOLD PLATING  
 DIELECTRIC: PTFE, N/A

THIS DRAWING IS A CONTROLLED DOCUMENT.		DWN	DWP	25/04/2013	HASCO		
		CHK			HyTech Associates Sales Company, Inc		
DIMENSIONS INCHES		TOLERANCES UNLESS OTHERWISE SPECIFIED		APVD	NAME HSB42 Series		
		0 PLC	±0.005	PRODUCT SPEC	26.5GHz Test Cable Assemblies with Excellent Phase and Amplitude Stability vs. Flexure		
		1 PLC	±0.010	APPLICATION SPEC			
		2 PLC	±0.015	WEIGHT	SIZE	CAGE CODE	DRAWING NO
		3 PLC	±0.020		A3	0T8L4	HSB42-S1-S1-48
		4 PLC	±0.025	CUSTOMER DRAWING	SCALE	SHEET	OF
MATERIAL SEE TABLE		FINISH SEE TABLE			1:1	1	1
							RVE 1