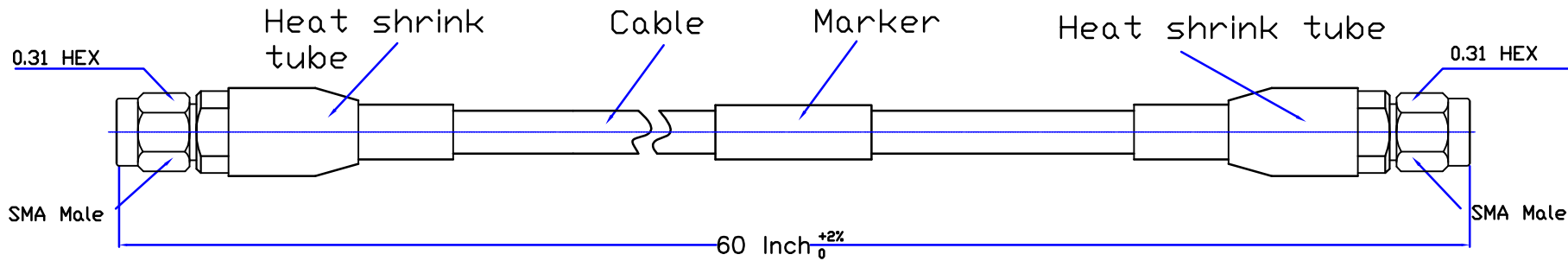


THIS DRAWING UNPUBLISHED		RELEASED FOR PUBLICATION		LOC		DEST		REVISIONS				
				-		-		P	LTR	DATE	DWN	APVD
								-	-	-	-	-



NOTES:

1.ELECTRICAL:

- 1.1 IMPEDANCE: 50Ω
- 1.2 INSULATION RESISTANCE:5000MΩ MIN
- 1.3 FREQUENCY RANGE: DC~26.5GHz
- 1.4 DIELECTRIC WITHSTANDING VOLTAGE: 1000V MAX AT SEA LEVEL
- 1.5 VSWR≤1.35:1@DC-26.5GHz
- 1.6 INSERTION LOSS: ≤4.5dB@26.5GHz

2.ENVIRONMENTAL:

TEMPERATURE RANGE: -55° to +85°

3. CONNECTOR MATERIAL AND FINISH:

BODY: STAINLESS STEEL TYPE 303, PASSIVATE  
 NUT: STAINLESS STEEL TYPE 303, PASSIVATE  
 CENTER CONTACT: BERYLLIUM COPPER  
 , GOLD PLATING  
 DIELECTRIC: PTFE, N/A

THIS DRAWING IS A CONTROLLED DOCUMENT.		DWN	DWP	25/04/2013	HASCO		
		CHK				HyTech Associates Sales Company,Inc	
DIMENSIONS INCHES		TOLERANCES UNLESS OTHERWISE SPECIFIED		NAME HSB42 @ Series			
		0 PLC .0015 1 PLC .0015 2 PLC .0015 3 PLC .0015 4 PLC .0015 ANGLES 31°		PRODUCT SPEC			
				APPLICATION SPEC			
MATERIAL		FINISH		SIZE	CAGE CODE	DRAWING NO	
SEE TABLE		SEE TABLE		A3	0TBL4	HSB42-S1-S1-60	
CUSTOMER DRAWING				SCALE	1:1	SHEET	1 OF 1 RVE 1