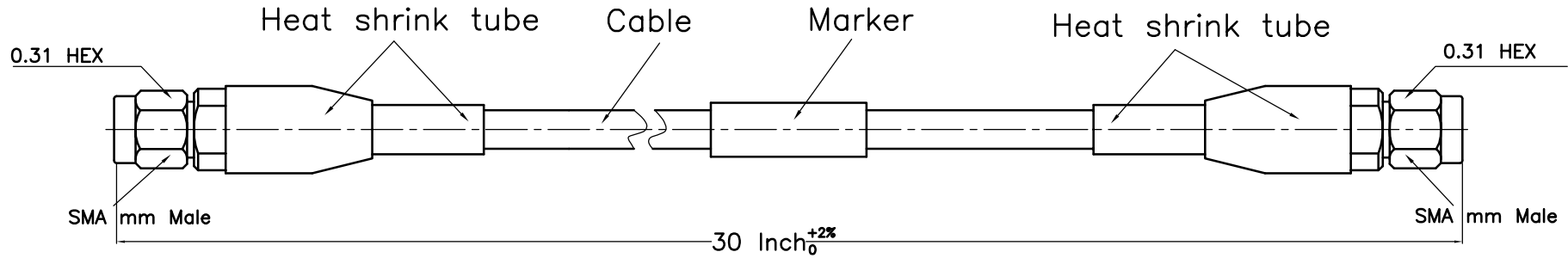


THIS DRAWING UNPUBLISHED.

RELEASED FOR PUBLICATION

LOC		DIST		REVISIONS			DATE	DWN	APVD
P	LTR								
-	-				-	-	-	-	



NOTES:

1.ELECTRICAL:

- 1.1 IMPEDANCE: 50Ω
- 1.2 INSULATION RESISTANCE:5000MΩ MIN
- 1.3 FREQUENCY RANGE: DC~26.5GHz
- 1.4 DIELECTRIC WITHSTANDING VOLTAGE: 1000V MAX AT SEA LEVEL
- 1.5 VSWR≤1.35:1@DC-26.5GHz
- 1.6 INSERTION LOSS: ≤2.6dB@26.5GHz

2.ENVIRONMENTAL:

TEMPERATURE RANGE: -55° to +85°

3. CONNECTOR MATERIAL AND FINISH:

BODY: STAINLESS STEEL TYPE 303, PASSIVATE
 NUT: STAINLESS STEEL TYPE 303, PASSIVATE
 CENTER CONTACT: BERYLLIUM COPPER
 , GOLD PLATING
 DIELECTRIC: PTFE, N/A

THIS DRAWING IS A CONTROLLED DOCUMENT.		DWN DWP	15/08/2012	HASCO	
		CHK		HyTech Associates Sales Company,Inc	
DIMENSIONS INCHES		APVD		NAME HSFL42® Series	
TOLERANCES UNLESS OTHERWISE SPECIFIED:		PRODUCT SPEC		26.5GHz Low Loss Flexible Cable Assemblies	
0 PLC ±0.25		APPLICATION SPEC		Good Phase Stability vs. Flexure	
1 PLC ±0.15		SIZE	A3	CAGE CODE	OT8L4
2 PLC ±0.12		WEIGHT		DRAWING NO	HSFL42-S1-S1-30
3 PLC ±		CUSTOMER DRAWING			
4 PLC ±		SCALE	4: 1	SHEET	1 OF 1
ANGLES ±1°		RVE			1
MATERIAL	SEE TABLE				
FINISH	SEE TABLE				