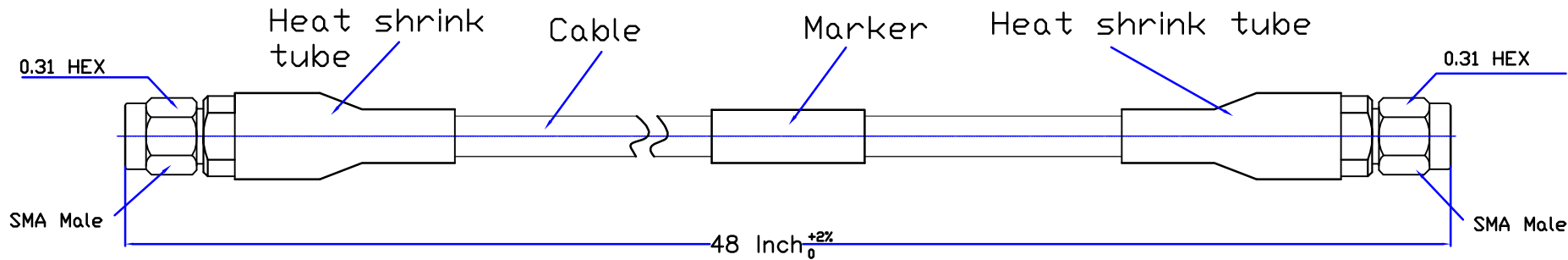


4		3		2		1			
THIS DRAWING UNPUBLISHED		RELEASED FOR PUBLICATION		LOC	DEST	REVISIONS			
				P	LTR		DATE	DWN	APVD
				-	-		-	-	-



NOTES:

1.ELECTRICAL:

- 1.1 IMPEDANCE: 50Ω
- 1.2 INSULATION RESISTANCE: 5000MΩ MIN
- 1.3 FREQUENCY RANGE: DC~26.5GHz
- 1.4 DIELECTRIC WITHSTANDING VOLTAGE: 1000V MAX AT SEA LEVEL
- 1.5 VSWR ≤ 1.35:1@DC-26.5GHz
- 1.6 INSERTION LOSS: ≤ 2.1dB@26.5GHz

2.ENVIRONMENTAL:

TEMPERATURE RANGE: -55° to +85°

3. CONNECTOR MATERIAL AND FINISH:

BODY: STAINLESS STEEL TYPE 303, PASSIVATE
 NUT: STAINLESS STEEL TYPE 303, PASSIVATE
 CENTER CONTACT: BERYLLIUM COPPER
 , GOLD PLATING
 DIELECTRIC: PTFE, N/A

THIS DRAWING IS A CONTROLLED DOCUMENT.		DWN	DWP	25/04/2013	HASCO				
		CHK			HyTech Associates Sales Company, Inc				
DIMENSIONS INCHES		TOLERANCES UNLESS OTHERWISE SPECIFIED			APVD	NAME HULL190 @ Series			
		0 PLC	±0.005		PRODUCT SPEC	26.5GHz Ultra Low Loss Flexible Cable Assemblies with Excellent Phase Stability vs. Flexure & Temperature			
		1 PLC	±0.010		APPLICATION SPEC	SIZE	CAGE CODE	DRAWING NO	
		2 PLC	±0.015			A3	0TBL4	HULL190-S1-S1-48	
		3 PLC	±0.020		WEIGHT				
		4 PLC	±0.030		CUSTOMER DRAWING	SCALE	1:1	SHEET	1 OF 1
MATERIAL SEE TABLE		FINISH SEE TABLE			RVE		1		