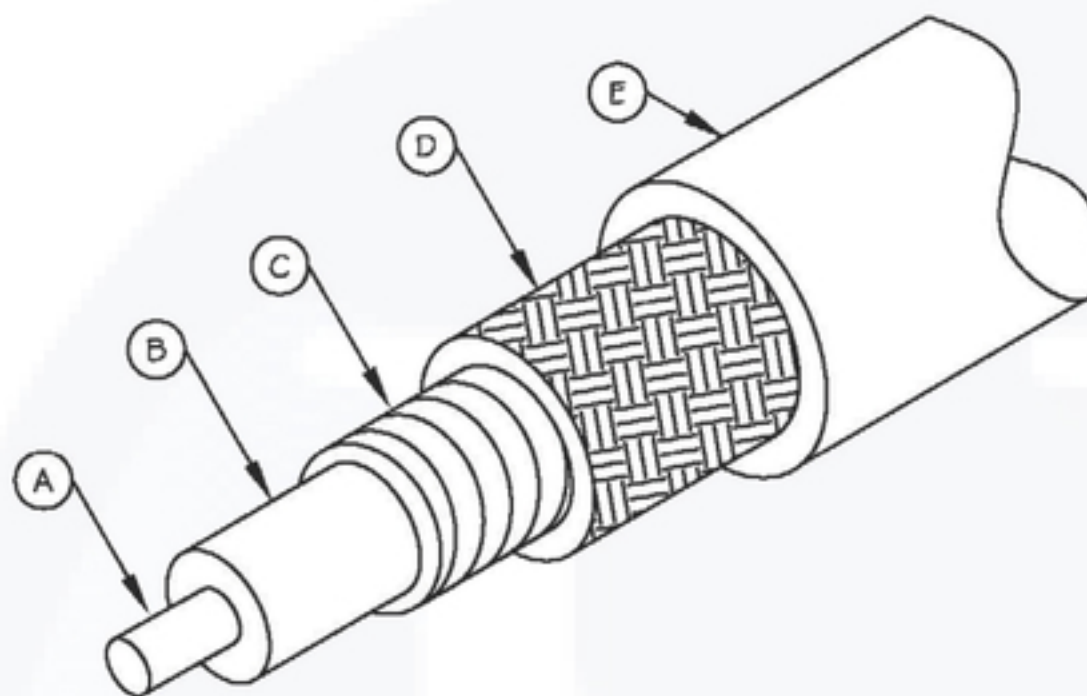
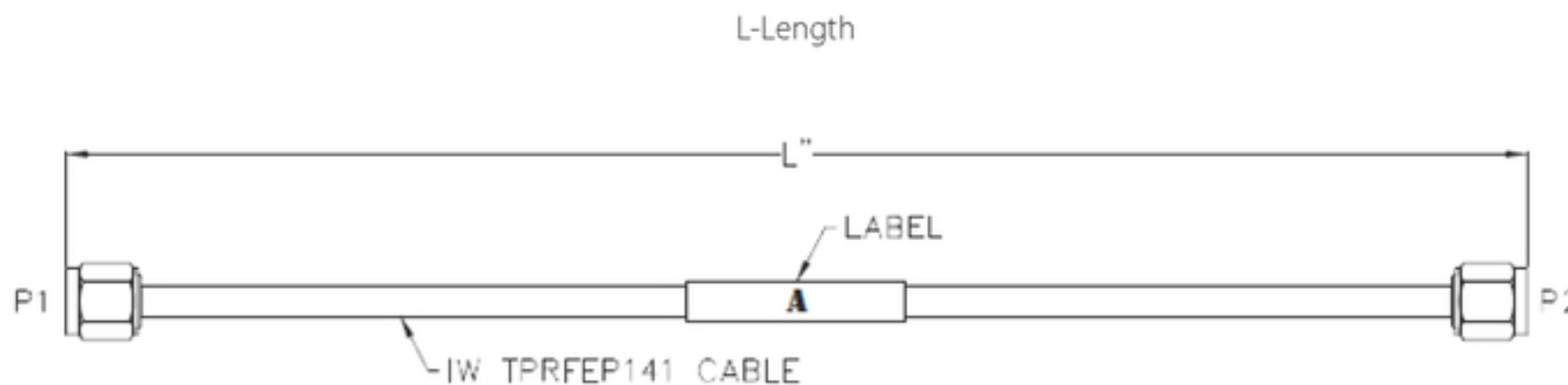


ELECTRICAL SPECIFICATONS

FREQUENCY:	DC-26.5 GHz
IMPEDANCE (NOMINAL):	50 Ohms
VSWR:	1.35:1 (DC-26.5 GHz)
MAX LOSS:	Length (per foot) x (.009 sqrt(f) + .0006 x f)
TOLERANCE:	L < 36" = ±.100 36" ≥ L < 72" = ±.250 L ≥ 72" = ±.500
RF LEAKAGE:	Equivalent to Semi-Rigid cable
TIME DELAY:	1.48 ns/ft
MIN. BEND RADIUS:	.125 inches
OPERATING TEMPERATURE:	-55°C To +125°C

MATERIALS

(A) CENTER CONDUCTOR:	Silver Plated OFHC Copper
(B) DIELECTRIC:	Multi-Ply PTFE Laminate
(C) SHIELD:	Silver Plated Copper
(D) BRAID:	Tin-Plated Copper
(E) JACKET:	FEP BLUE
SOLDER:	SN96
LABEL:	Polyolefin per AMS-DTL-23053/5



To view online, go to: <https://www.hasco-inc.com/categories/cable-assemblies/iw-re-flex-cables/shell-style-sma-plugs.html>

LTR	DESCRIPTION	DATE	APPR.	DRAWN BY: ABC	CHECKED BY: ABC
-	RELEASE	12/16	TAC	APPROVED BY: ABC	
				THESE DRAWINGS AND SPECIFICATIONS ARE THE PROPERTY OF HASCO COMPONENTS AND SHALL NOT BE REPRODUCED, COPIED NOR USED - IN WHOLE OR IN PART - AS THE BASIS FOR THE MANUFACTURE OR SALE OF OTHER ITEMS WITHOUT THE EXPRESS, WRITTEN PERMISSION OF HASCO COMPONENTS.	
THIS DRAWING IS A CONTROLLED DOCUMENT					



5214 Bonsai Street • Moorpark, CA 93021
(888) 498-3242 • sales@hasco-inc.com
www.hasco-inc.com

MATERIALS: SEE DATA SHEET	CAGE CODE: 0T8L4	SCALE: N/A	SIZE: A
FINISHES: SEE DATA SHEET	PART NO./DRAWING NO. SPSH-TPRFEP141-L-SPSH		REV: -