

Part No:

HDC18NIO



Type N DC Block, Inner/Outer, 10 MHz - 18 GHz

The **HDC18NIO** is a Type N DC Block, inner and Outer design from HASCO. The Type N Male to Type N Female DC Block will operate from 10 MHz to 65 GHz with a maximum voltage of 200V (Inner and Outer).

The HASCO **HDC18NIO** is RoHS compliant.



An RF DC Block is a device used prevent the flow of direct current through a transmission line and introduce minimal RF noise. There are three type of DC blocks: Inner, Outer, and Inner/Outer. Inner DC Blocks have a capacitor in series with the center conductor, outer has a capacitor in the outer conductor and lastly Inner / Outer DC blocks have both. HASCO has various DC Blocks with various connectors and frequency configurations.

HASCO has a variety of DC Blocks with connector variations that can operate up to 65 GHz and frequency configurations.

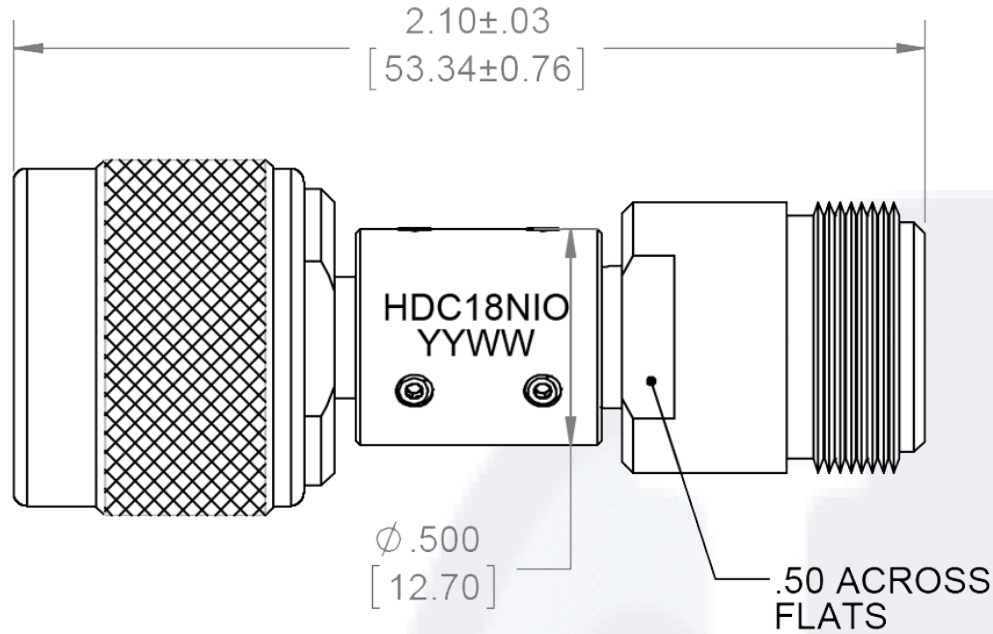
Electrical


- Impedence 50 Ohms
- Frequency Range 10 MHz - 18 GHz
- VSWR 1.35:1 Max
- Insertion Loss 0.85 dB Max
- Voltage 200V Max - Inner /Outer
- Temperature Range -65°C to 125°C

Material

- Body Passivated Stainless Steel
- Center Contact Gold Plated BeCu
- Dielectric High Temperature Plastic

Type N DC Block - Inner/Outer | 10 MHz - 18 GHz | DATASHEET



LTR	DESCRIPTION	DATE	APPR.	DRAWN BY: <i>JMS</i>	CHECKED BY: <i>JMS</i>		5214 Bonsai Street • Moorpark, CA 93021 (888) 498-3242 • sales@hasco-inc.com www.hasco-inc.com		
-	RELEASE	10/20	TAC	APPROVED BY: <i>TAC</i>					
A	IL Specs Updated	12/21	TAC	THESE DRAWINGS AND SPECIFICATIONS ARE THE PROPERTY OF HASCO COMPONENTS AND SHALL NOT BE REPRODUCED, COPIED NOR USED - IN WHOLE OR IN PART - AS THE BASIS FOR THE MANUFACTURE OR SALE OF OTHER ITEMS WITHOUT THE EXPRESS, WRITTEN PERMISSION OF HASCO COMPONENTS.		MATERIALS:	CAGE CODE:	SCALE:	SIZE:
						SEE DATA SHEET	0T8L4	N/A	A
						FINISHES:	PART NO./DRAWING NO.		REV:
						SEE DATA SHEET	HDC18NIO		A
THIS DRAWING IS A CONTROLLED DOCUMENT									