

# SPECIFICATIONS

PRODUCTION  
RELEASE

NOTE:  
THIS DRAWING INCORPORATES  
THIS ANGLE PRELECTION  
INTERNET DIV AND THIS-ONE

REV		DESCRIPTION	APPROVED
-1		REDRAWN ON NEW TITLE BLOCK	2/17/2009 D. Saunders

## ELECTRICAL:

VSWR:	7kHz TO 23 GHz	<1.35
IMPEDANCE		50 OHMS
FREQUENCY RANGE		7 kHz TO 23 GHz
INSERTION LOSS		
	100 Khz - 12.4 GHz	0.50 dB
	12.4 - 23 GHz	0.75 dB
BETTER THAN -3 dB Bandwidth	7 kHz - 23 GHz	
VOLTAGE		100 VOLTS MAX.*
POWER (AVG)		2 WATTS*

\*POWER DERATES LINEARLY FROM +25°C TO <10 % @+125°C

TEMPERATURE RANGE (°C) -65 TO +125

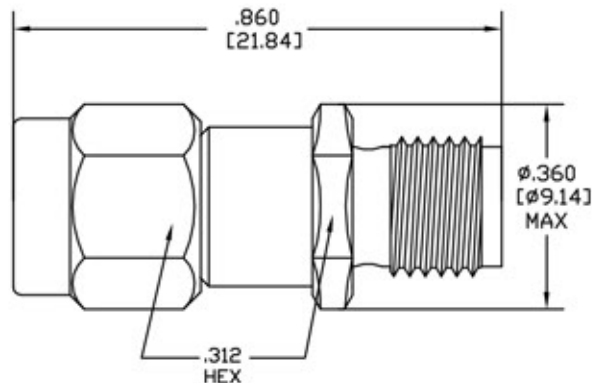
## MATERIALS

CENTER CONTACT  
BERY COPPER ALLOY C17200 OR C17300 IAW ASTM B196/B197  
GOLD PLATED PER MIL-PRF-39012 (ASTM-B488)

CONNECTOR BODY AND COUPLING NUT  
STAINLESS STEEL IAW A582, TYPE 303, PASSIVATED PER QQ-P-35

CAPACITOR:  
474 nf TYPICALLY (474,000 pf)

CONNECTOR MATERIALS, FINISHES AND MATING INTERFACE  
DIMENSIONS COMPLY WITH MIL-PRF-39102 AND MIL-STD-348



DRAWS PRACTICES PER AWS-Y-148 MIL-STD-10 & 102 DIMENSIONS ARE IN INCHES AND APPLY BEFORE/AFTER PROCESSING	UNLESS OTHERWISE SPECIFIED TOLERANCES IN DECIMALS INCH IN ° 05° [1.25] ° 030° [7.6] ANGLES ±	DRAWN D. SAUNDERS DATE
SURFACE FINISHES	UNLESS OTHERWISE NOTED DIAS CONCENTRIC < .003 T.I.R.	CHECKED DATE
FINISH SEE NOTES		ENGR DATE
MATERIAL SEE NOTES		THESE DRAWINGS AND SPECIFICATIONS ARE THE PROPERTY OF HASCO COMPONENTS AND SHALL NOT BE REPRODUCED, COPIED NOR USED - IN WHOLE OR IN PART - AS A BASIS FOR THE MANUFACTURE OR SALE OF OTHER ITEMS WITHOUT THE EXPRESS WRITTEN PERMISSION OF HASCO COMPONENTS

HASCO, INC. COMPONENTS DISTRIBUTOR		5214 Bonsai Street Moorpark, CA (888) 498-3242 www.hasco-inc.com
TITLE <b>MICROWAVE DC BLOCK                  SMA, 23 GHz BROADBAND</b>		
SIZE <b>C</b>	CAGE CODE <b>OT8L4</b>	DWG NO. <b>HDC231</b>
SCALE <b>6:1</b>	PLATING AREA SQUARE INCHES	XXXX SHEET 1 OF 1