

Part No:

HDC231



DC Block, SMA Male to SMA Female, Inner Only - 23 GHz

Electrical

• Impedance	50 Ohms
• Frequency Range	7 kHz - 23 GHz
• VSWR	1.40:1 Max
• Insertion Loss	±0.50 dB (100 kHz - 12.4 GHz) ±1.0 dB (12.4 GHz - 23 GHz)
• Voltage Rating	100 V Max (Inner Only) Derates Linearly from +25°C to <10% @ 125°C
• Average Power	2 Watts
• Temperature Range	-65°C to 125°C

Material

• Body	Passivated Stainless Steel
• Connectors	Passivated Stainless Steel
• Contact	Gold Plated BeCu

Connector interfaces, finishes, and materials comply with both MIL-PRF-39012 and MIL-STD-348

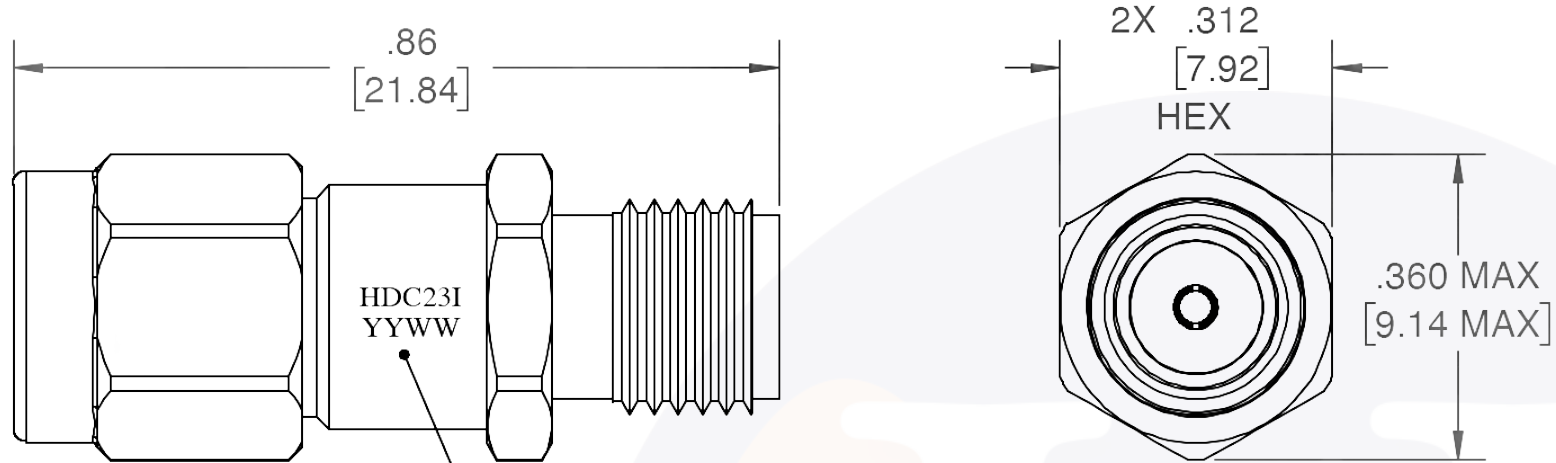
The HASCO **HDC231** is a DC Block SMA Male to SMA Female, inner only, from HASCO. This DC Block will operate up to 23 GHz.

The HDC231 is RoHS compliant.




HASCO offers a selection of Inner-Only and Inner / Outer DC Blocks with 1.85mm, 2.4mm, 2.92mm, SMA, or Type N Male to Female connectors. Depending on the model, they operate down to 7 KHz and up to 65 GHz. Several of the Inner-Only DC Blocks and the Inner/ Outer DC Blocks will handle maximum DC voltages up to 200 VDC. All of the DC Blocks are precision designs that are constructed using Passivated Stainless Steel bodies.

DC Block, SMA Male to SMA Female, Inner Only | DC - 23 GHz | Outline Drawing



MARKING AREA
**NOTE: THIS PART #
 ENDS IN A LETTER.
 NOT A NUMBER.**

LTR	DESCRIPTION	DATE	APPR.	DRAWN BY: <i>NS</i>	REVIEWED BY: <i>JS</i>	 <p>5214 Bonsai Street • Moorpark, CA 93021 (888) 498-3242 • sales@hasco-inc.com www.hasco-inc.com</p>			
-	RELEASE	2/09	TC		APPROVED BY: <i>TC</i>				
A	CORRECTED TITLE	1/15	TC	THESE DRAWINGS AND SPECIFICATIONS ARE THE PROPERTY OF HASCO COMPONENTS AND SHALL NOT BE REPRODUCED, COPIED NOR USED - IN WHOLE OR IN PART - AS THE BASIS FOR THE MANUFACTURE OR SALE OF OTHER ITEMS WITHOUT THE EXPRESS, WRITTEN PERMISSION OF HASCO COMPONENTS.		MATERIALS: SEE DATA SHEET	CAGE CODE:	SCALE:	SIZE:
B	ADDED RoHS STATEMENT	10/17	TC				OT8L4	N/A	A
C	CLARIFIED MARKING	11/21	TC			FINISHES: SEE DATA SHEET	PART NO./DRAWING NO.		REV:
D	UPDATED INSERTION LOSS & VSWR	11/21	TC				HDC23I		D
THIS DRAWING IS A CONTROLLED DOCUMENT									