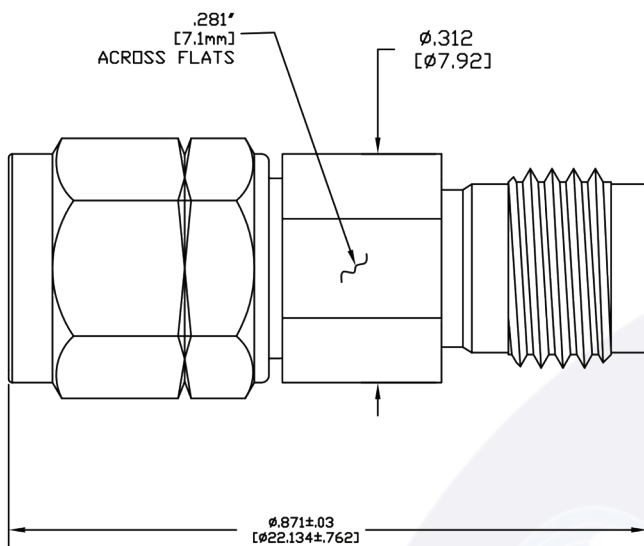




# DC Block • 2.40 mm Male-Female Inner Only • 10 MHz - 50 GHz

## Part #HDC50I



### Electrical

- **Frequency Range** 10 MHz - 50 GHz
- **VSWR** 10 MHz - 50 GHz... <1.65:1
- **Insertion Loss** 10 MHz - 40 GHz... 1 dB Max  
40 - 50 GHz..... 1.25 dB Max
- **Impedence** 50 Ohms
- **Voltage** 100 Volts Max
- **Temperature Range** -35°C - +85°C

### Material

- **Dielectric** High Temperature Plastic Bead
- **Housing** Stainless Steel  
IAW ASTM-A484 & ASTM-A582  
Alloy 303, Cond A
- **Contacts** Beryllium Copper