

Part No:

HDC65I



1.85mm DC Block, Inner Only, 10 MHz - 65 GHz

The **HDC65I** is a 1.85mm DC Block, inner only design from HASCO. The 1.85mm Male to 1.85mm Female DC Block will operate from 10 MHz to 65 GHz with a maximum input power of 1 Watt and maximum voltage of 16V.

The HASCO **HDC65I** is RoHS compliant.



An RF Inner Only DC Block is a coaxial device that prevents DC current flow through the center conductor while introducing minimal RF noise. There are three types of DC blocks: Inner, Outer, and Inner/Outer. The manner by which DC Blocks prevent DC current is by inserting blocking capacitors in-line with the desired blocking path. In the case of an Inner DC Blocks, they have a capacitor in series with the center conductor. Outer DC Blocks have a capacitor in the outer conductor, and Inner/Outer DC Blocks have blocking caps in both the inner conductor and outer conductor..

HASCO has a variety of DC Blocks with connector variations that can operate up to 65 GHz.

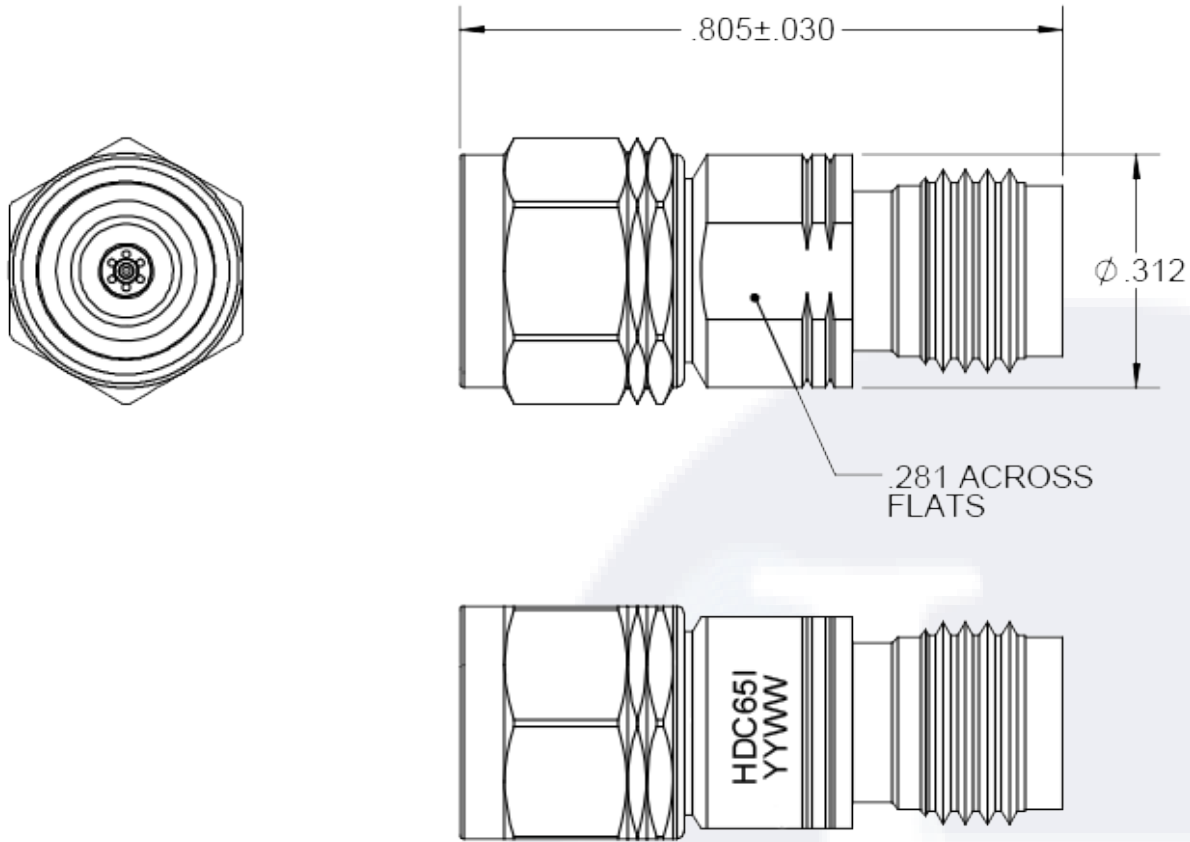
Electrical

- Impedence 50 Ohms
- Frequency Range 10 MHz - 65 GHz
- VSWR 1.60:1 Max
- Insertion Loss 1.25 dB Max
- Power 1 Watt
- Voltage 16V Max - Inner Only
- Temperature Range -55°C to 100°C

Material

- Body Passivated Stainless Steel
- Center Contact Gold Plated BeCu
- Dielectric Teflon

1.85mm DC Block - Inner Only | 10 MHz - 65 GHz | DATASHEET



LTR	DESCRIPTION	DATE	APPR.	DRAWN BY: <i>JMS</i>	CHECKED BY: <i>JMS</i>
-	RELEASE	10/20	TAC	APPROVED BY: <i>TAC</i>	
				THESE DRAWINGS AND SPECIFICATIONS ARE THE PROPERTY OF HASCO COMPONENTS AND SHALL NOT BE REPRODUCED, COPIED NOR USED - IN WHOLE OR IN PART - AS THE BASIS FOR THE MANUFACTURE OR SALE OF OTHER ITEMS WITHOUT THE EXPRESS, WRITTEN PERMISSION OF HASCO COMPONENTS.	
THIS DRAWING IS A CONTROLLED DOCUMENT					



5214 Bonsai Street • Moorpark, CA 93021
(888) 498-3242 • sales@hasco-inc.com
www.hasco-inc.com

MATERIALS: SEE DATA SHEET	CAGE CODE: 0T8L4	SCALE: N/A	SIZE: A
FINISHES: SEE DATA SHEET	PART NO./DRAWING NO. HDC651		REV: -