

Part No:

# ADP-W-12500-5000-75-SF



## WR-75 to SMA Female Waveguide to Coax Adapter Right Angle Design • 10 GHz to 15 GHz

### Parameters

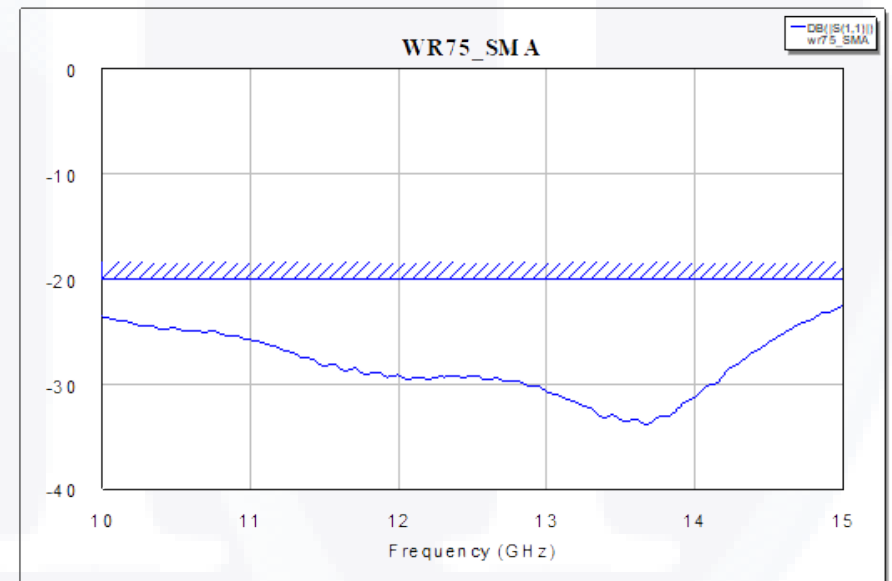
Pass-Band Frequency	10 GHz to 15 GHz
Insertion Loss	<0.2 dB
Return Loss	20dB Minimum
Operating Temperature	-50°C to +85°C
Housing Material	Aluminum, Chromate Conversion Coating, Clear
Flange	WR-75/UBR120
Weight	75g

The ADP-W-12500-5000-75-SF is a WR-75 to SMA Female waveguide to coax adapter, right angle design, which operates across the entire WR-75 frequency band of 10GHz to 15 GHz. Return loss across 10 GHz to 15 GHz is 20dB minimum. WR-75/UBR120 Flange.

### Key Features of the ADP-W-12500-5000-75-SF:

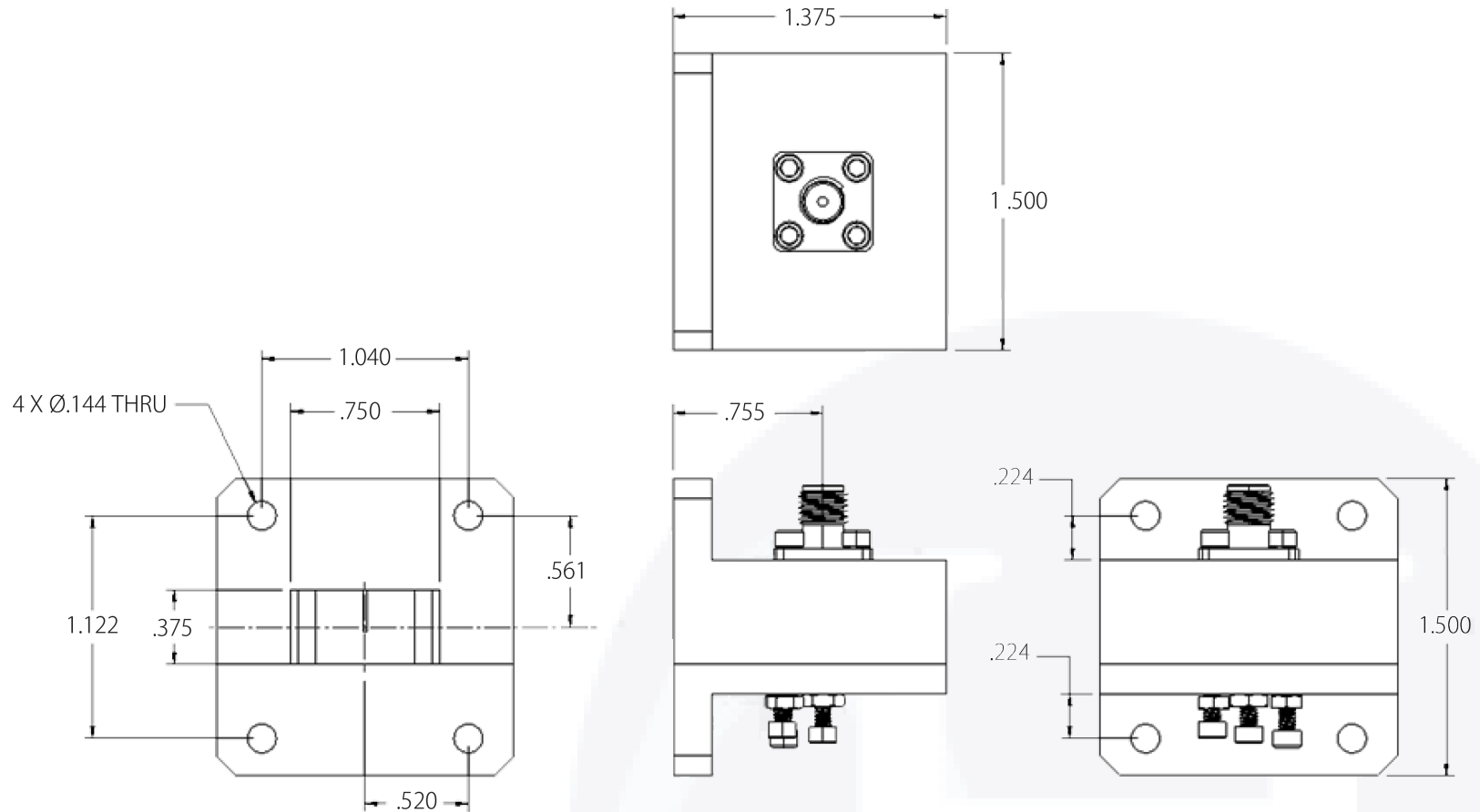
- 20dB return loss across entire WR-75 frequency band
- Low Pass-band Insertion loss

### Typical Measured Data





To view online, go to: <https://www.hasco-inc.com/adapters/adapters-waveguide/wr-75-to-sma-female-waveguide-to-coax-adapter-right-angle-design-10-ghz-to-15-ghz-ubr120-flange/>

ADP-W-12500-5000-75-SF | 10 - 15 GHz | Outline Drawing



To view online, go to: <https://www.hasco-inc.com/adapters/adapters-waveguide/wr-75-to-sma-female-waveguide-to-coax-adapter-right-angle-design-10-ghz-to-15-ghz-ubr120-flange/>

LTR	DESCRIPTION	DATE	APPR.	DRAWN BY: ABC	CHECKED BY: ABC	 		5214 Bonsai Street Moorpark, CA 93021 (888) 498-3242 sales@hasco-inc.com <a href="http://www.hasco-inc.com">www.hasco-inc.com</a>			
-	RELEASE	12/16	TAC	APPROVED BY: ABC							
				THESE DRAWINGS AND SPECIFICATIONS ARE THE PROPERTY OF HASCO COMPONENTS AND SHALL NOT BE REPRODUCED, COPIED NOR USED - IN WHOLE OR IN PART - AS THE BASIS FOR THE MANUFACTURE OR SALE OF OTHER ITEMS WITHOUT THE EXPRESS, WRITTEN PERMISSION OF HASCO COMPONENTS.				MATERIALS:	CAGE CODE:	SCALE:	SIZE:
				TOLERANCES - UNLESS OTHERWISE NOTED:				SEE DATA SHEET	OT8L4	N/A	-
				DECIMALS	INCHES	MM	FINISHES:	PART NO./DRAWING NO.	REV:		
				.X"	.075"	[1.9]	SEE DATA SHEET	<b>ADP-W-12500-5000-75-SF</b>	-		
				.XX"	.050"	[1.3]					
				.XXX"	.030"	[0.76]					
THIS DRAWING IS A CONTROLLED DOCUMENT											