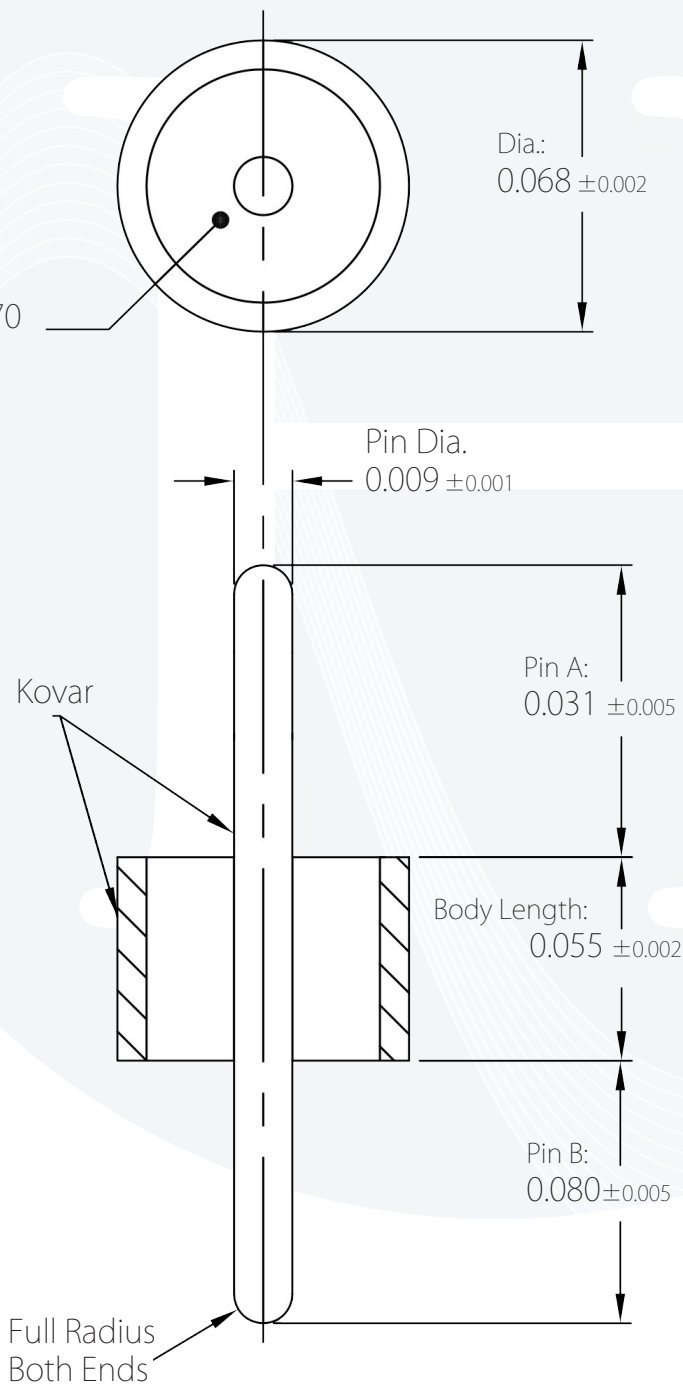



Glass: 7070  
or Equivalent



Notes:

- Glass Meniscus .005 Max (2X)
- Glass Type: Corning 7070 or Equivalent
- Hermeticity  $1E(-8)$  STD CC/SEC @ 1 atm Helium
- Body Material: Kovar
- Gold Plate, ASTM B488-01, Type III, Code A, Class 1.25 (50 $\mu$  In Min) Over Nickel, 100 $\mu$  In Min

Part Number: <b>HA-3180</b>	Rev: -	Unless otherwise Specified, Dimensions Are In Inches	 <b>HASCO, INC</b> COMPONENTS DISTRIBUTOR 5214 Bonsai St. • Moorpark, CA 93021 888-498-3242 • www.hasco-inc.com sales@hasco-inc.com
Material: <b>Noted</b>	Date: <b>08-04-2015</b>		
Title: <b>50 Ohm Feedthru</b>	Cage Code: <b>OT8L4</b>	Tolerances Dimensions .x +/- .xx +/- .xxx +/- Fractions +/-	
Scale: <b>N/A</b>	Last Rev. Change: -		
Drawn By: <b>J. Shade</b>	Checked by: <b>T. Cates</b>		