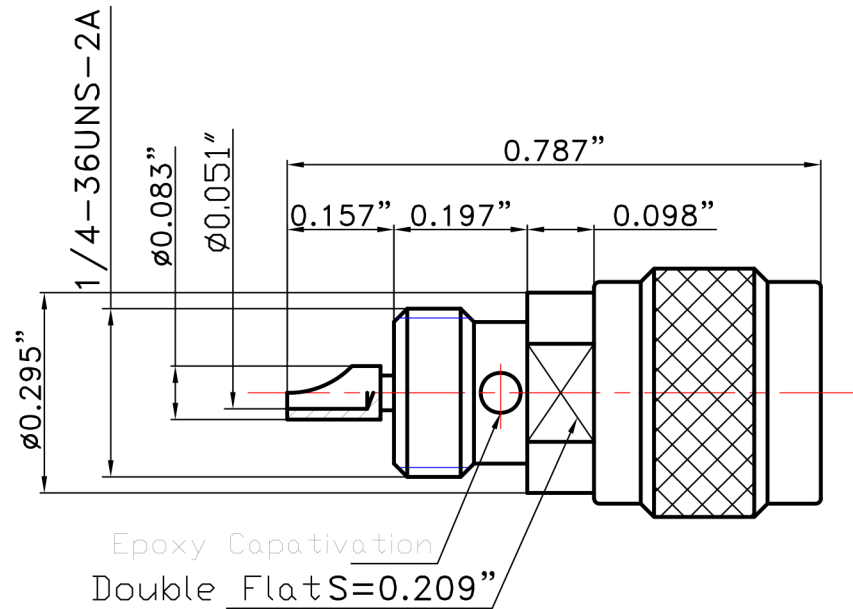


MATERIALS		
	Materials	Finish
Body	Stainless Steel	Passivated
Insulator	PTFE	None
Center contact	Beryllium Copper	Gold



All dimension are inches		SIZE A	SCALE NO	HASCO COMPONENTS
DRAWING BY: P. Xie	DATE: 10/26/2009	REV. C	SHEET 1/1	
CHECKED BY: W. Lu	DATE: 10/26/2009	PART NO. 131-33-DC-001		TITLE Stainless Steel (Passivated) SMA Female/DC Adaptor
APPROVED BY: Z. Jiang	DATE: 10/26/2009			