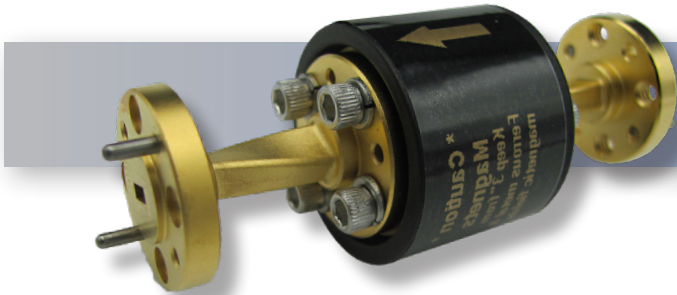


Part No:

HWFBI12-ER



WR-12 Full Band Isolator - 60 to 90 GHz

The HASCO **HWFBI12-ER** is a full Band isolator that operates from 60 to 90 GHz. The isolator is constructed with a longitudinal, magnetized ferrite rod that causes a Faraday rotation of the incoming RF signal. The isolator is used in swept frequency applications. These components provide a high degree of isolation between signal sources and mismatched loads by attenuating the reflected signals. The insertion loss in the forward direction is minimized to allow for the full available power from the signal source-isolator combination.

Features

- Low insertion loss
- Full waveguide band
- Excellent isolation across the band
- Faraday rotation principle of operation

Applications

- Test Labs
- Sub-Assemblies
- Automotive Industry
- Millimeter wave Test Systems

HWFBI12-ER uses the Faraday principle of rotation in a broadband dielectric waveguide design to achieve high isolation across full waveguide bands. High-quality ferrite material is used in these isolators, and the magnetic field is produced by an integral permanent magnet. To ensure maximum reproducibility and performance, a combination of precise machining operations and refined assembly techniques are used.

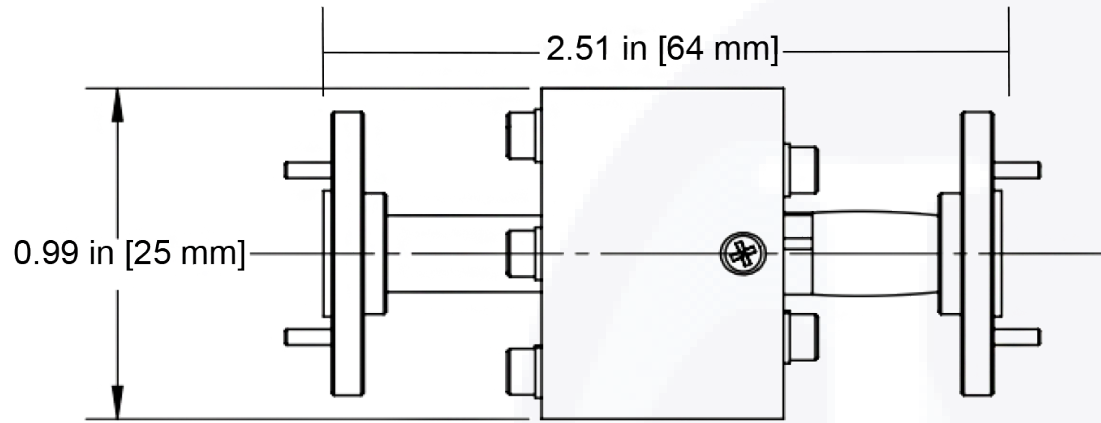
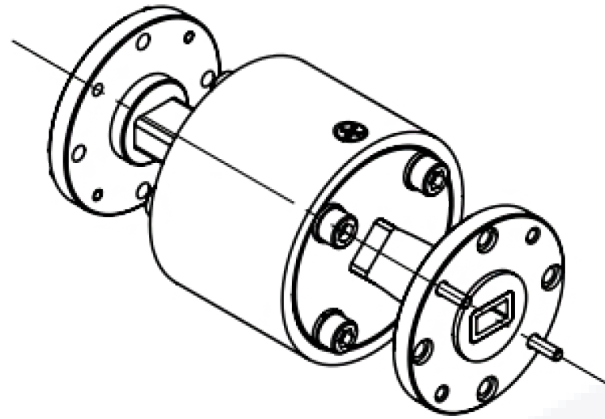
Electrical

• Input & Output Ports	WR-12
• Flange	UG-387/U, Round
• Frequency Range	60 - 90 GHz
• Insertion Loss	2 dB Max
• Isolation	27 dB Min.
• VSWR	1.40:1 Max
• Max Power	1 W

Material

• Flange Material	Gold Plated Brass
-------------------	-------------------

WR-12 Full Band Isolator | 60 - 90 GHz | Outline Drawing



LTR	DESCRIPTION	DATE	APPR.	DRAWN BY: <i>NS</i>	CHECKED BY: <i>JMS</i>
-	RELEASE	08/22	TAC	APPROVED BY: <i>TAC</i>	
				THESE DRAWINGS AND SPECIFICATIONS ARE THE PROPERTY OF HASCO COMPONENTS AND SHALL NOT BE REPRODUCED, COPIED NOR USED - IN WHOLE OR IN PART - AS THE BASIS FOR THE MANUFACTURE OR SALE OF OTHER ITEMS WITHOUT THE EXPRESS, WRITTEN PERMISSION OF HASCO COMPONENTS.	
THIS DRAWING IS A CONTROLLED DOCUMENT					



5214 Bonsai Street • Moorpark, CA 93021
 (888) 498-3242 • sales@hasco-inc.com
www.hasco-inc.com

MATERIALS: SEE DATA SHEET	CAGE CODE: 0T8L4	SCALE: N/A	SIZE: A
FINISHES: SEE DATA SHEET	PART NO./DRAWING NO. HWFB112-ER		REV: -