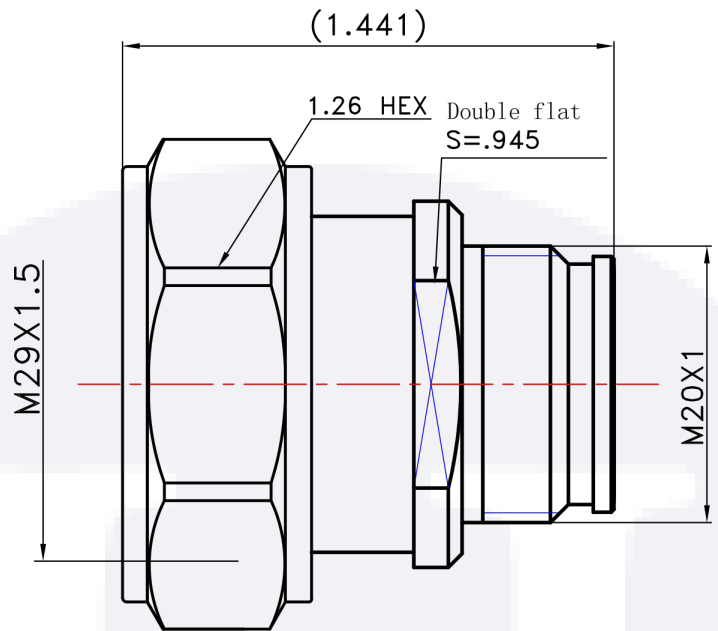




Low PIM Adapter 4.3-10 Female to 7/16 Male

Part No: 4310J-716P-SLP



Electrical

- **Frequency Range** DC - 6 GHz
- **VSWR** DC - 6 GHz.....1.3:1
- **Impedance** 50 Ohms
- **PIM** <-168 dBc
(at 1800 MHz, 43dBm per two tone)

Materials

- **Inner Conductor**
Silver Plated Be-Cu/Phos. Bronze
- **Outer Conductor**
Silver/Trimetal Plated Brass
- **Dielectric**
PTFE