

Part No:

4310J-NJ-SLP



4.3-10 Female to N Female Between-Series Low PIM RF adapter, -168 dBc PIM Level from DC - 6 GHz

The 4310J-NJ-SLP is a 4.3-10 Female to N Female Between-Series Low PIM RF adapter, -168 dBc PIM Level from DC - 6 GHz manufactured by HASCO Components.

The 4310J-NJ-SLP is RoHS compliant.



PIM is the term used to describe the unwanted signals created by multiple frequencies traveling through the same interface. This connector is identified as Low PIM because of its PIM performance of - 165 dBc. The types of Low PIM connectors and adapters are 7/16 DIN, 4.1/9.5 Mini DIN, N-Type, SMA and the newer 4.3-10 DIN. Straight, Bulkhead adapters and right angle adapters are available from HASCO Components. HASCO Cage Code: OT8L4

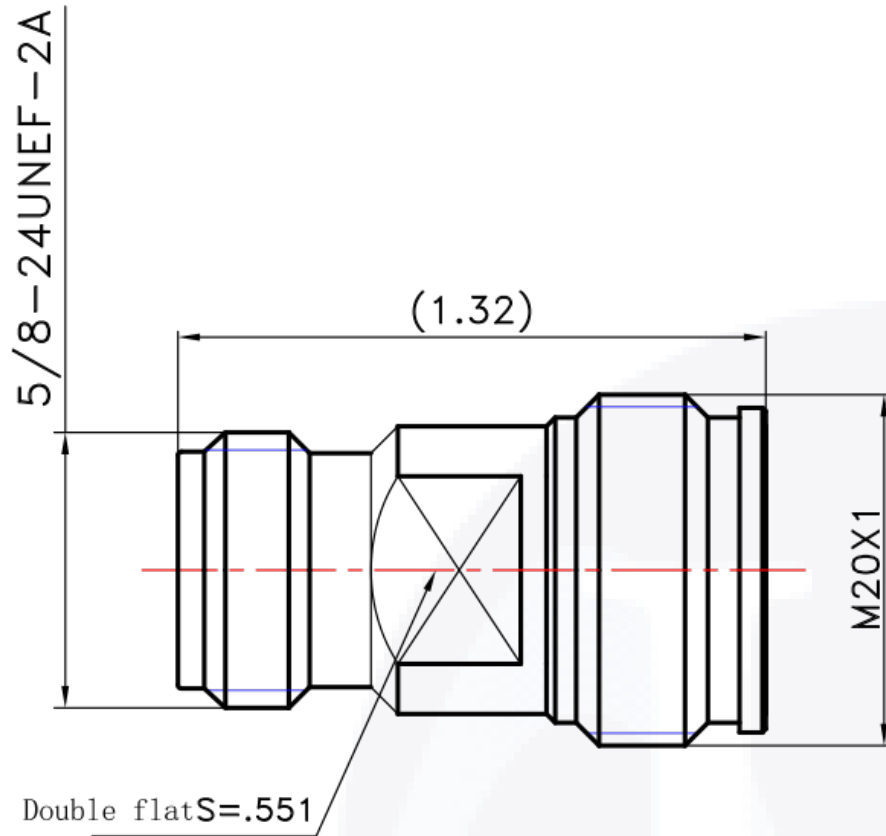
Electrical

| | |
|-------------------|--|
| • Frequency Range | DC - 6 GHz |
| • VSWR | DC - 3 GHz 1.15:1 3 - 6 GHz 125:1 |
| • Impedance | 50 Ohms |
| • PIM | <-168 dBc (at 1800 MHz, 43 dBm per tone) |


Material

| | |
|-------------------|------------------------------|
| • Inner Conductor | Silver Plated BeCu |
| • Outer Conductor | Trimetal Plated Brass |
| • Spring Head | Trimetal Plated Phos. Bronze |
| • Dielectric | PTFE |

To view online, go to: <https://www.hasco-inc.com/adapters/4-3-10-female-to-n-female-low-pim-rf-adapter-168-dbc/>



To view online, go to: <https://www.hasco-inc.com/adapters/4-3-10-female-to-n-female-low-pim-rf-adapter-168-dbc/>

| | | | | | | | | | |
|---------------------------------------|-------------|-------|-------|--|-----------------|--|---|---------------|------------|
| LTR | DESCRIPTION | DATE | APPR. | DRAWN BY: ABC | CHECKED BY: ABC |  <p>5214 Bonsai Street • Moorpark, CA 93021 (888) 498-3242 • sales@hasco-inc.com www.hasco-inc.com</p> | | | |
| - | RELEASE | 12/16 | TAC | APPROVED BY: ABC | | | | | |
| | | | | THESE DRAWINGS AND SPECIFICATIONS ARE THE PROPERTY OF HASCO COMPONENTS AND SHALL NOT BE REPRODUCED, COPIED NOR USED - IN WHOLE OR IN PART - AS THE BASIS FOR THE MANUFACTURE OR SALE OF OTHER ITEMS WITHOUT THE EXPRESS, WRITTEN PERMISSION OF HASCO COMPONENTS. | | MATERIALS: SEE DATA SHEET | CAGE CODE: OT8L4 | SCALE: N/A | SIZE: A |
| | | | | | | FINISHES: SEE DATA SHEET | PART NO./DRAWING NO. 4310J-NJ-SLP | REV: - | |
| THIS DRAWING IS A CONTROLLED DOCUMENT | | | | | | | | | |
| | | | | | | | | | |
| | | | | | | | | | |