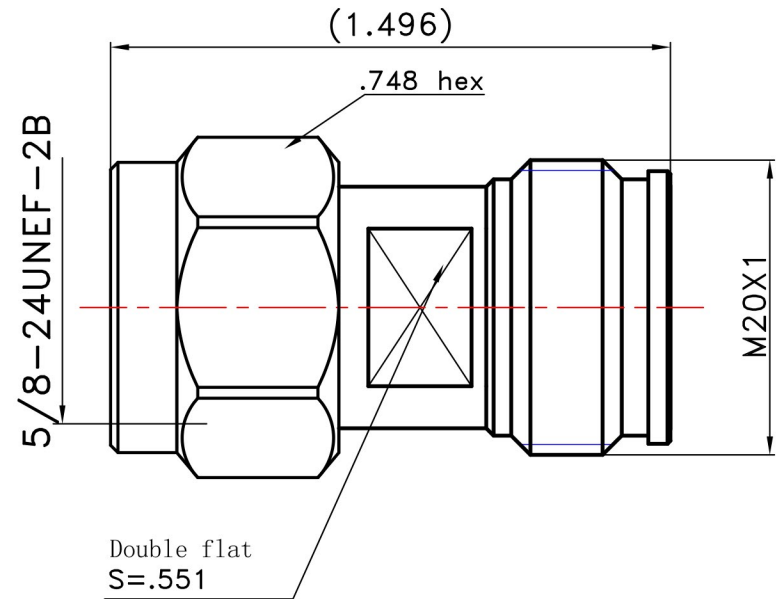



Specification:

- \* Frequency Range: DC - 6 GHz
- \* VSWR max: 1.3 : 1
- \* PIM: <-168 dBc  
(at 1800 MHz, 43dBm per tone)



Materials:

- \* Inner Conductor: Silver plated Beryllium Copper
- \* Outer Conductor: Silver/Trimetal plated brass
- \* Mating head: Silver plated Phos. bronze
- \* Dielectric: PTFE

All dimension are in inch unless otherwise specified		SIZE A	SCALE NO	CAGE CODE		5214 Bonsai Street Moorpark, CA (888) 498-3242 www.hasco-inc.com
DRAWING BY: P. Xie	DATE: 3/5/2015	REV. A	SHEET 1/1	0T8L4		
CHECKED BY: W. Lu	DATE: 3/5/2015	PART NO.		TITLE		
APPROVED BY: Z. Jiang	DATE: 3/5/2015	4310J-NP-SLP		Low PIM 4.3-10 female to N male adaptor		