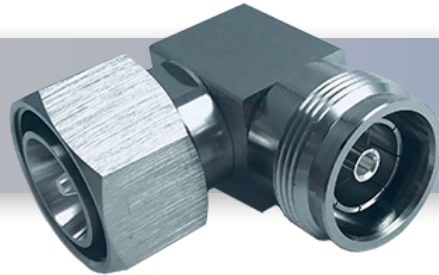


Part No:

4310P-4310J-RA-SLP



4.3-10 Male to 4.3-10 Female Right Angle In-Series Low PIM RF adapter, -165 dBc PIM Level from DC - 6 GHz

The 4310P-4310J-RA-SLP is a 4.3-10 Male to 4.3-10 Female Right Angle In-Series Low PIM RF adapter, -165 dBc PIM Level from DC - 6 GHz manufactured by HASCO Components.

The 4310P-4310J-RA-SLP is RoHS compliant.



PIM is the term used to describe the unwanted signals created by multiple frequencies traveling through the same interface. This connector is identified as Low PIM because of its PIM performance of - 165 dBc. The types of Low PIM connectors and adapters are 7/16 DIN, 4.1/9.5 Mini DIN, N-Type, SMA and the newer 4.3-10 DIN. Straight, Bulkhead adapters and right angle adapters are available from HASCO Components. HASCO Cage Code: OT8L4

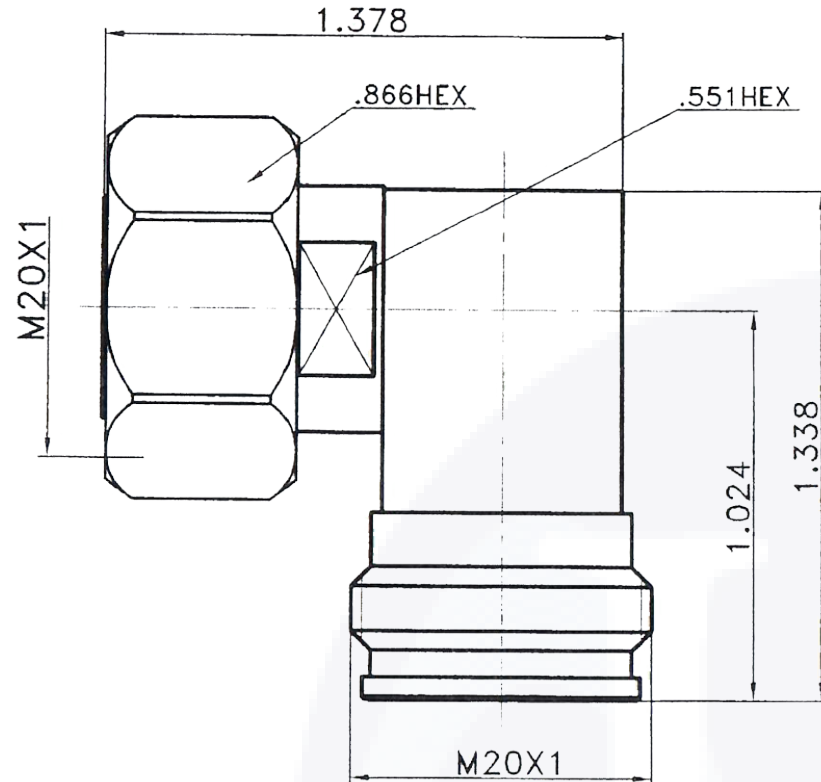
Electrical

- Frequency Range DC - 6 GHz
- VSWR DC - 3 GHz 1.25:1
3 - 6 GHz 1.45:1
- Impedance 50 Ohms
- PIM <-165 dBc
(at 1800 MHz, 43 dBm per tone)


Material

- Inner Conductor Silver Plated BeCu/Brass
- Outer Conductor Trimetal Plated Brass
- Dielectric PTFE

To view online, go to: <https://www.hasco-inc.com/adapters/4-3-10-male-to-4-3-10-female-right-angle-low-pim-adapter-165-dbc/>



To view online, go to: <https://www.hasco-inc.com/adapters/4-3-10-male-to-4-3-10-female-right-angle-low-pim-adapter-165-dbc/>

LTR	DESCRIPTION	DATE	APPR.	DRAWN BY: ABC	CHECKED BY: ABC		5214 Bonsai Street • Moorpark, CA 93021 (888) 498-3242 • sales@hasco-inc.com www.hasco-inc.com		
-	RELEASE	12/16	TAC	APPROVED BY: ABC					
				THESE DRAWINGS AND SPECIFICATIONS ARE THE PROPERTY OF HASCO COMPONENTS AND SHALL NOT BE REPRODUCED, COPIED NOR USED - IN WHOLE OR IN PART - AS THE BASIS FOR THE MANUFACTURE OR SALE OF OTHER ITEMS WITHOUT THE EXPRESS, WRITTEN PERMISSION OF HASCO COMPONENTS.		MATERIALS:	CAGE CODE:	SCALE:	SIZE:
						SEE DATA SHEET	OT8L4	N/A	A
						FINISHES:	PART NO./DRAWING NO.		REV:
						SEE DATA SHEET	4310P-4310J-RA-SLP		-
THIS DRAWING IS A CONTROLLED DOCUMENT									