

Part No:

4310P-NP-SLP



4.3-10 Male to N Male Between-Series Low PIM RF adapter, -168 dBc PIM Level from DC - 6 GHz

The 4310P-NP-SLP is a 4.3-10 Male to N Male Between-Series Low PIM RF adapter, -168 dBc PIM Level from DC - 6 GHz manufactured by HASCO Components.

The 4310P-NP-SLP is RoHS compliant.



PIM is the term used to describe the unwanted signals created by multiple frequencies traveling through the same interface. This connector is identified as Low PIM because of its PIM performance of - 165 dBc. The types of Low PIM connectors and adapters are 7/16 DIN, 4.1/9.5 Mini DIN, N-Type, SMA and the newer 4.3-10 DIN. Straight, Bulkhead adapters and right angle adapters are available from HASCO Components. HASCO Cage Code: OT8L4

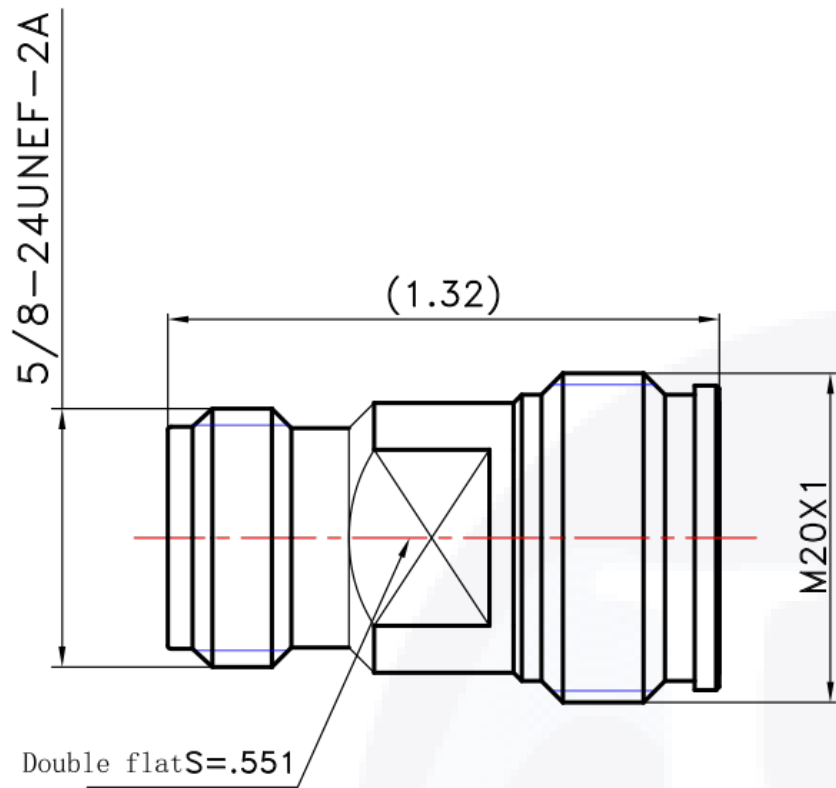
Electrical

- Frequency Range DC - 6 GHz
- VSWR DC - 3 GHz 1.15:1
3 - 6 GHz 125:1
- Impedance 50 Ohms
- PIM <-168 dBc
(at 1800 MHz, 43 dBm per tone)


Material

- Inner Conductor Silver Plated Brass
- Outer Conductor Trimetal Plated Brass
- Coupling Nut Trimetal Plated Brass
- Dielectric PTFE

To view online, go to: <https://www.hasco-inc.com/adapters/4-3-10-male-to-n-male-low-pim-rf-adapter-168-dbc/>



To view online, go to: <https://www.hasco-inc.com/adapters/4-3-10-male-to-n-male-low-pim-rf-adapter-168-dbc/>

LTR	DESCRIPTION	DATE	APPR.	DRAWN BY: ABC	CHECKED BY: ABC	 <p>5214 Bonsai Street • Moorpark, CA 93021 (888) 498-3242 • sales@hasco-inc.com www.hasco-inc.com</p>
-	RELEASE	12/16	TAC	APPROVED BY: ABC		
				THESE DRAWINGS AND SPECIFICATIONS ARE THE PROPERTY OF HASCO COMPONENTS AND SHALL NOT BE REPRODUCED, COPIED NOR USED - IN WHOLE OR IN PART - AS THE BASIS FOR THE MANUFACTURE OR SALE OF OTHER ITEMS WITHOUT THE EXPRESS, WRITTEN PERMISSION OF HASCO COMPONENTS.		MATERIALS: SEE DATA SHEET
						CAGE CODE: OT8L4
						SCALE: N/A
						SIZE: A
						FINISHES: SEE DATA SHEET
						PART NO./DRAWING NO. 4310P-NP-SLP
						REV: -
THIS DRAWING IS A CONTROLLED DOCUMENT						