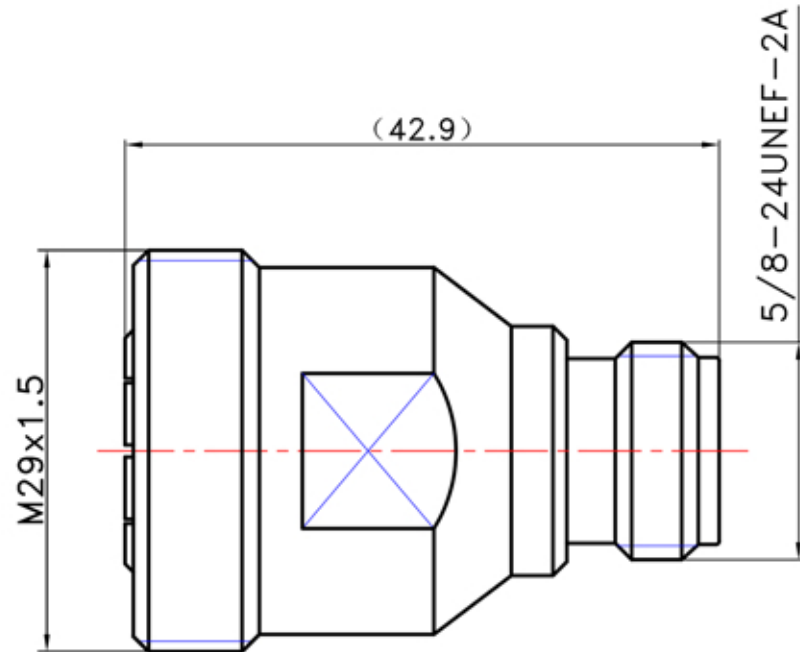



### Specification:

- \* Frequency Range: DC - 6 GHz
- \* VSWR max: 1.2 : 1
- \* PIM: <-168 dBc  
(at 1800 MHz, 43dBm per tone)



### Materials:

- \* Inner Conductor: Silver plated Be-Cu
- \* Outer Conductor: Silver plated brass
- \* Dielectric: PTFE

All dimension are in mm unless otherwise specified		SIZE A	SCALE NO	CAGE CODE  0T8L4		5214 Bonsai Street Moorpark, CA (888) 498-3242 www.hasco-inc.com
DRAWING BY: P. Xie	DATE: 3/29/2013	REV. A	SHEET 1/1			
CHECKED BY: W. Lu	DATE: 3/29/2013	PART NO. 716J-NJ-SLP		TITLE Low PIM adaptor 7/16 female to N female		
APPROVED BY: Z. Jiang	DATE: 3/29/2013					