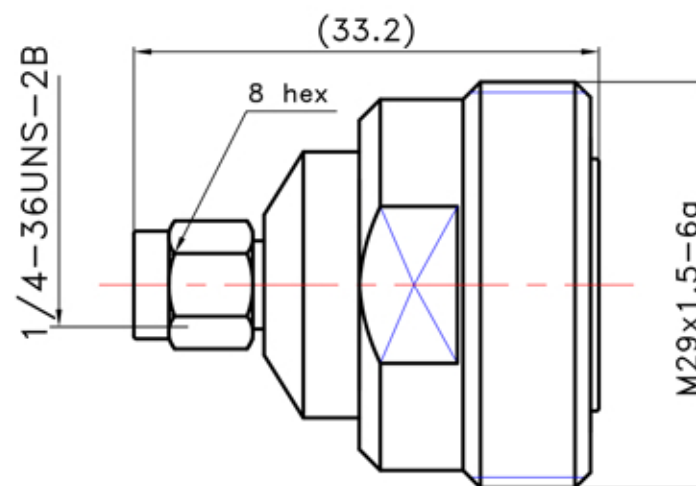



## Specification:

- \* Frequency Range: DC - 6 GHz
- \* VSWR max: 1.2 : 1
- \* PIM: <-160 dBc  
(at 1800 MHz, 43dBm per tone)



## Materials:

- \* Inner Conductor: Silver plated Be-Cu/Brass
- \* Outer Conductor: Silver plated brass
- \* Dielectric: PTFE

All dimension are in mm unless otherwise specified			SIZE A	SCALE NO	CAGE CODE  0T8L4		5214 Bonsai Street Moorpark, CA (888) 498-3242 www.hasco-inc.com
DRAWING BY:	P. Xie	DATE:	3/29/2013	REV. A			
CHECKED BY:	W. Lu	DATE:	3/29/2013	PART NO.		TITLE	
APPROVED BY:	Z. Jiang	DATE:	3/29/2013	716J-SMP-SLP		Low PIM adaptor 7/16 female to SMA male	