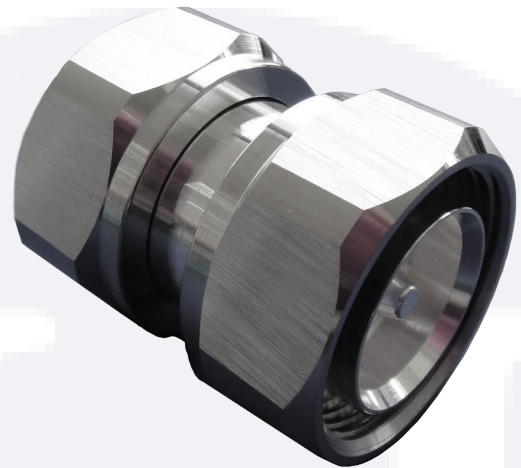
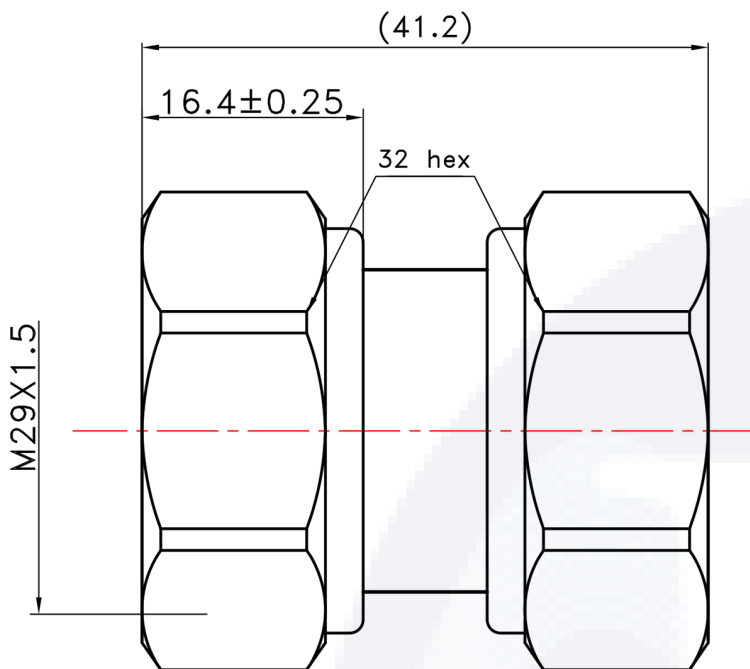




Low PIM Adapter 7/16 Male to 7/16 Male

Part No: 716P-716P-SLP



Electrical

- **Frequency Range** DC - 6 GHz
- **VSWR** DC - 6 GHz.....1.2:1
- **Impedence** 50 Ohms
- **PIM** <-168 dBc
(at 1800 MHz, 43dBm per two tone)

Materials

- **Inner Conductor**
Silver Plated Phos. Bronze
- **Outer Conductor**
Silver/Trimetal Plated Brass
- **Dielectric**
PTFE