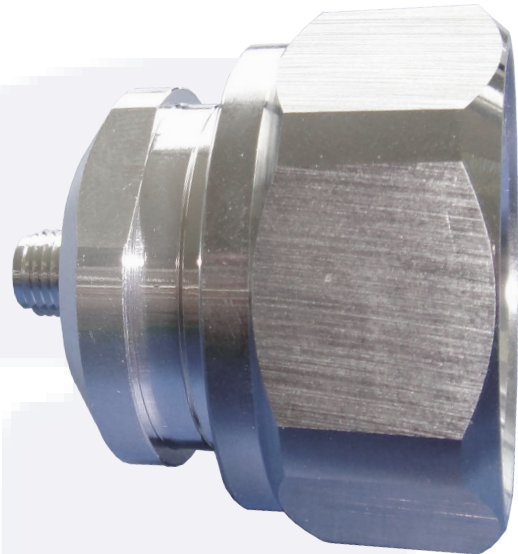
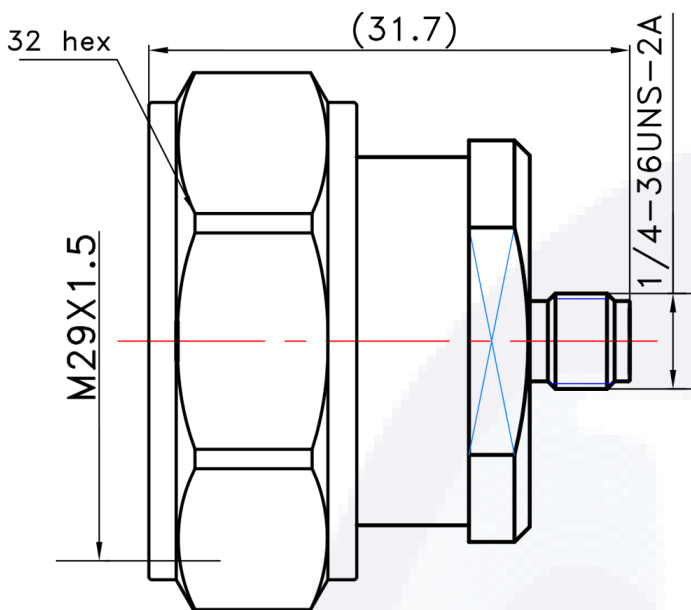




Low PIM Adapter 7/16 Male to SMA Female

Part No: 716P-SMJ-SLP



Electrical

- **Frequency Range** DC - 6 GHz
- **VSWR** DC - 6 GHz.....1.2:1
- **Impedence** 50 Ohms
- **PIM** <-160 dBc
(at 1800 MHz, 43dBm per two tone)

Materials

- **Inner Conductor** Silver Plated Be-Cu/Brass
- **Outer Conductor** Silver/Trimetal Plated Brass
- **Dielectric** PTFE