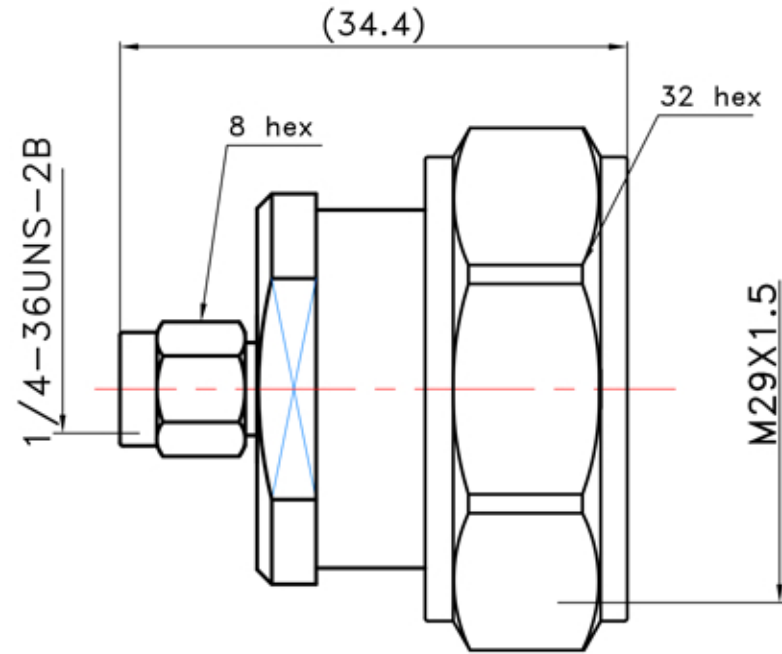



Specification:

- \* Frequency Range: DC - 6 GHz
- \* VSWR max: 1.2 : 1
- \* PIM: <-160 dBc  
(at 1800 MHz, 43dBm per tone)



Materials:

- \* Inner Conductor: Silver plated BeCu
- \* Outer Conductor: Silver/Trimetal plated brass
- \* Dielectric: PTFE

All dimension are in mm unless otherwise specified		SIZE A	SCALE NO	CAGE CODE	 5214 Bonsai Street Moorpark, CA (888) 498-3242 www.hasco-inc.com
DRAWING BY: P. Xie	DATE: 3/29/2013	REV. A	SHEET 1/1	0T8L4	
CHECKED BY: W. Lu	DATE: 3/29/2013	PART NO.		TITLE	Low PIM adaptor 7/16 male to SMA male
APPROVED BY: Z. Jiang	DATE: 3/29/2013	716P-SMP-SLP			