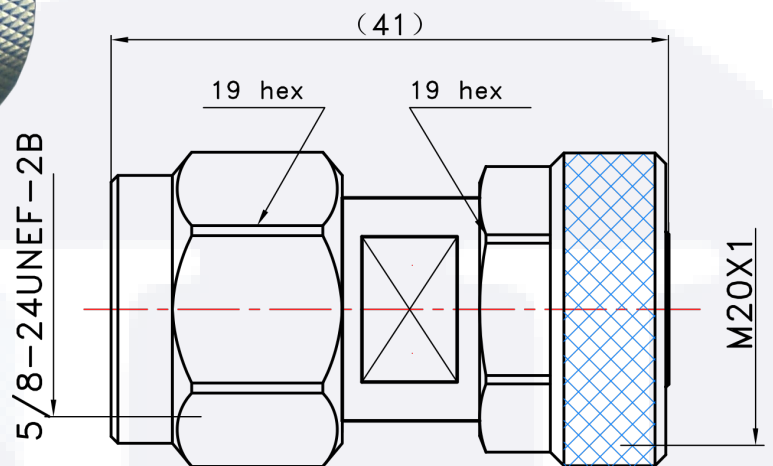
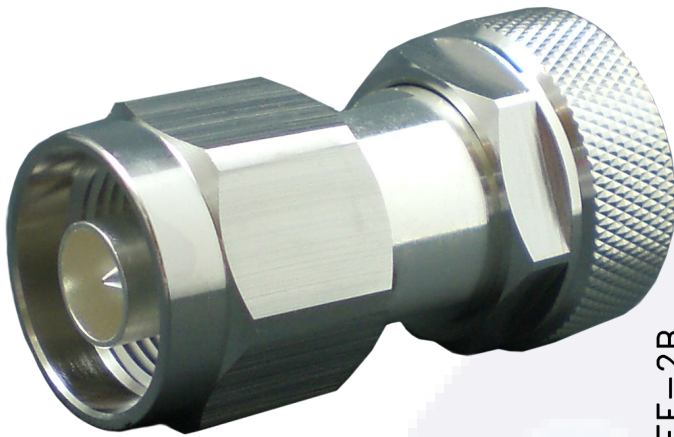




## Low PIM Adapter Mini DIN Male to Type N Male

**Part No: MDP-NP-SLP**



### Electrical

- **Frequency Range** DC - 6 GHz
- **VSWR** DC - 6 GHz.....1.2:1
- **Impedence** 50 Ohms
- **PIM** <-168 dBc  
(at 1800 MHz, 43dBm per two tone)

### Materials

- **Inner Conductor**  
Silver Plated Be-Cu
- **Outer Conductor**  
Silver/Trimetal Plated Brass
- **Dielectric**  
PTFE