

WR-28 Bandpass Filter, 35.25 to 36.25 GHz

Features:

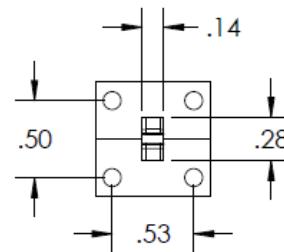
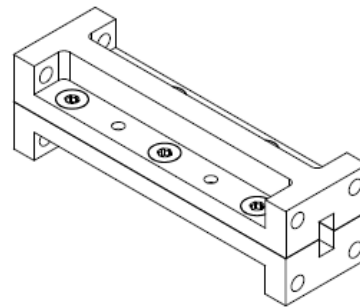
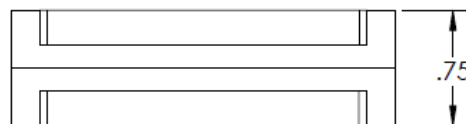
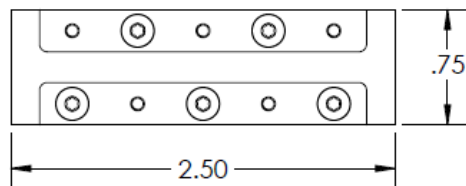
- Low Insertion Loss, 0.8dB typ.
- Excellent Return Loss
- Passivated Aluminum



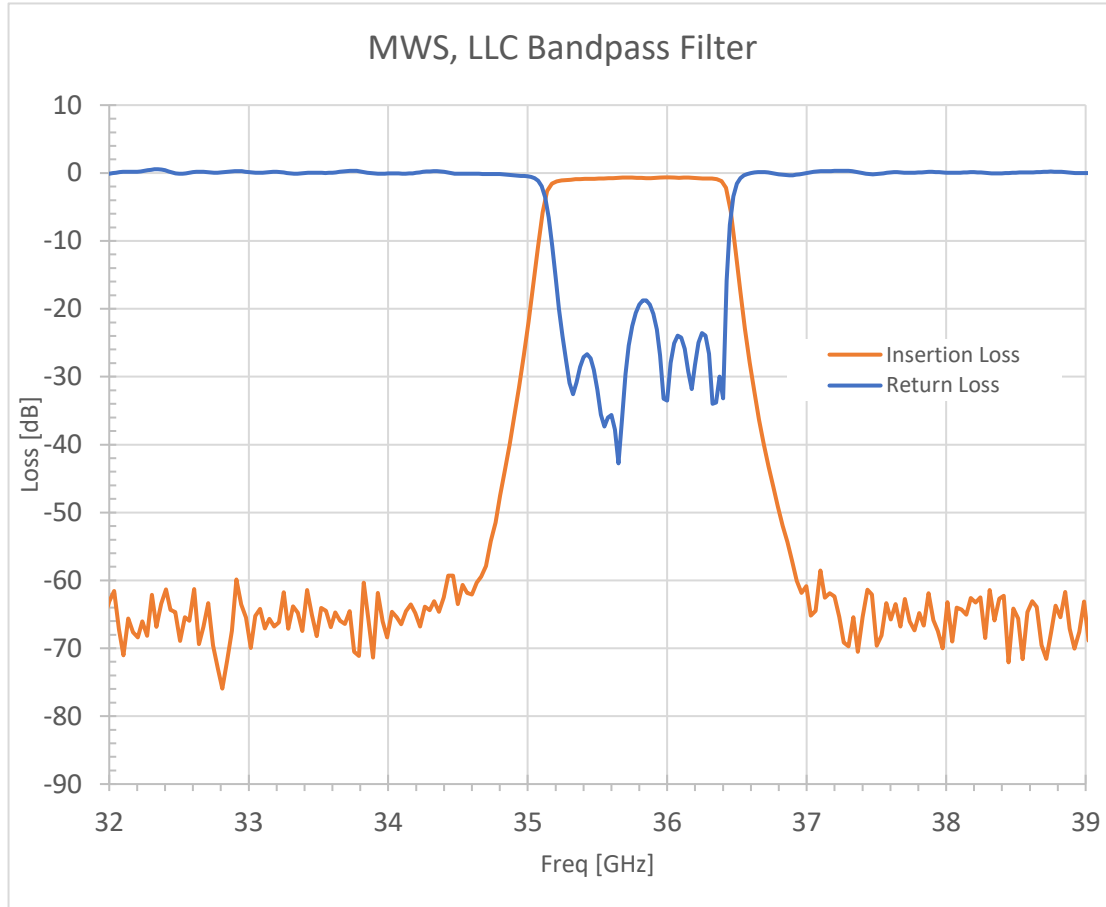
Specifications

Parameter	Specification	Notes
Frequency Range	35.25 to 36.25 GHz	
Insertion Loss, mid band	0.8dB typ.	see plot
Return Loss	18 dB typ.	
RF Connectors	WR-28	

Outline Drawing (inches)



Measured Data 24-40 GHz (typ.)



Ordering Information

Part Number: 200525-01	WR-28 Bandpass Filter, 35.25 to 36.25 GHz
ECCN: EAR99	

Specifications subject to Change without notice.