

Part No:

200437-01



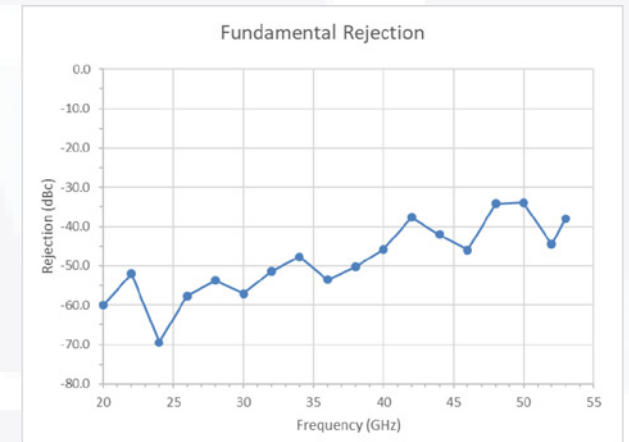
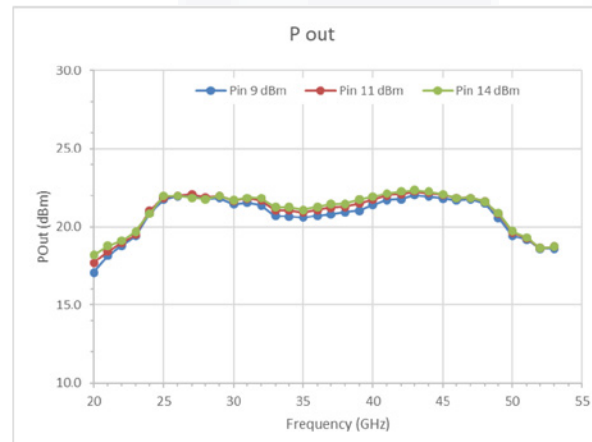
Active Frequency Multiplier X2, 20 to 50 GHz

Specifications

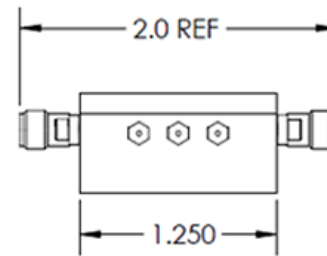
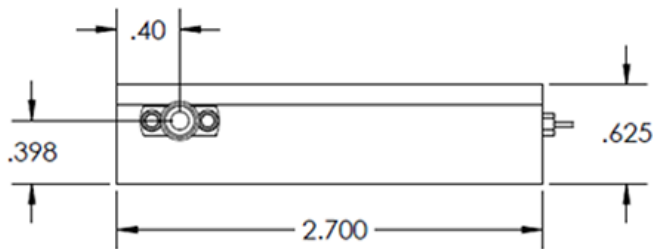
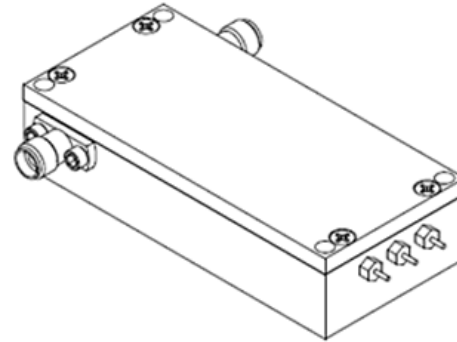
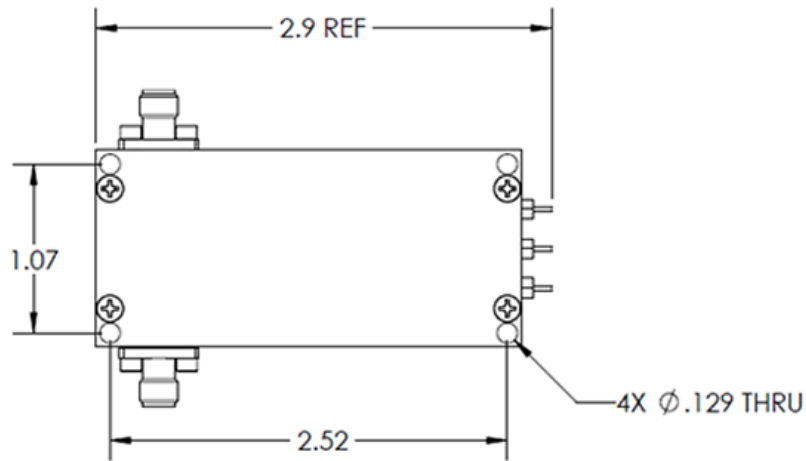
- F out Frequency Range 20 to 50 GHz
- F in Frequency Range 10 to 25 GHz
- X1 Harmonic -45 dBC Typ. 20-40 GHz
-35 dBC Typ. 40-50 GHz
- DC Supply 8 to 12 VDC @250 mA (Current Listed is MAX Under RF Drive)
- P in 14 dBm (Operational 9-15 dBm Pin)
- P out >22 dBm Typ. (23-50 GHz - See Plot Below)
- Output Connector 2.4mm (50 GHz)
- Input Connector 2.92mm/SMA Compatible

Active Frequency Multipliers use state-of-the-art active multiplier devices for frequency multiplication and amplification. The standard housing enables I/O ports of 2.4mm and 2.92mm (SMA Compatible) coaxial connectors. Featuring convenient single +8V supply operation, internally bias sequenced and regulated. This active multiplier from Millimeter Wave Systems offers high-output at +22 dBm with excellent fundamental rejection.

HASCO offers a selection of microwave and millimeter-wave Mixers and Frequency Multipliers in packaged and MMIC designs. Connectorized Mixers and Multipliers operate as low as 2 GHz and up to 110 GHz. MMIC Mixers operate between the 57 through 170 GHz band, while MMIC Multipliers have an input frequency as low as 9.5 GHz, with an output up to 106 GHz. MMIC's are available in die form and come in gelpacks.



Active Frequency Multiplier X2 | 20 ~ 50 GHz | Outline Drawing



LTR	DESCRIPTION	DATE	APPR.	DRAWN BY: <i>JMS</i>	CHECKED BY: <i>JMS</i>
-	RELEASE	10/21	TAC	APPROVED BY: <i>TAC</i>	
				THESE DRAWINGS AND SPECIFICATIONS ARE THE PROPERTY OF HASCO COMPONENTS AND SHALL NOT BE REPRODUCED, COPIED NOR USED - IN WHOLE OR IN PART - AS THE BASIS FOR THE MANUFACTURE OR SALE OF OTHER ITEMS WITHOUT THE EXPRESS, WRITTEN PERMISSION OF HASCO COMPONENTS.	
THIS DRAWING IS A CONTROLLED DOCUMENT					



5214 Bonsai Street • Moorpark, CA 93021
 (888) 498-3242 • sales@hasco-inc.com
www.hasco-inc.com

MATERIALS: SEE DATA SHEET	CAGE CODE: 0T8L4	SCALE: N/A	SIZE: A
FINISHES: SEE DATA SHEET	PART NO./DRAWING NO. 200437-01		REV: -