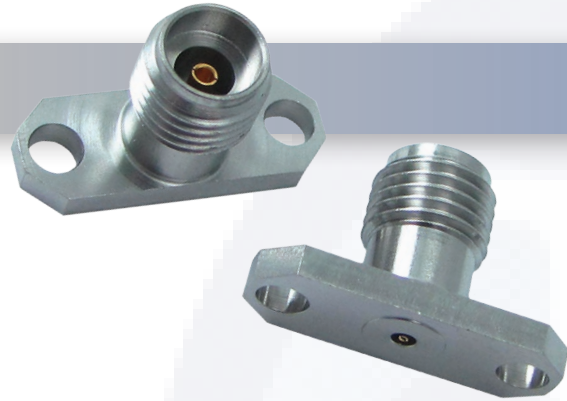


Part No:

29J-2H-625-012



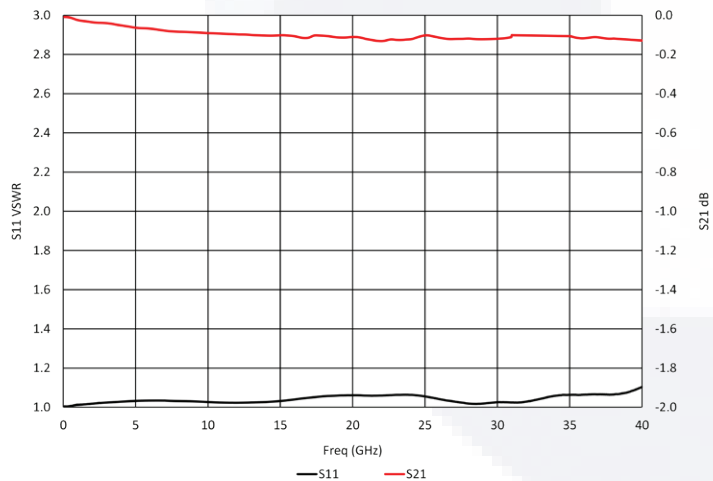
HASCO, INC
COMPONENTS DISTRIBUTOR



2.92mm Female Connector with .625" 2-Hole Flange • DC - 40 GHz

The HASCO **29J-2H-625-012** is a 2.92mm Female Connector with .625" 2-hole flange. It operates from DC to 40 GHz and has a VSWR or 1.15:1 DC to 40GHz.

HASCO stocks an extensive selection of RF and Microwave connectors. Including Precision Super SMA, 3.5mm, 2.92mm, 2.40mm, 1.85mm, Type N, TNC, End Launch and cable connectors.



Electrical

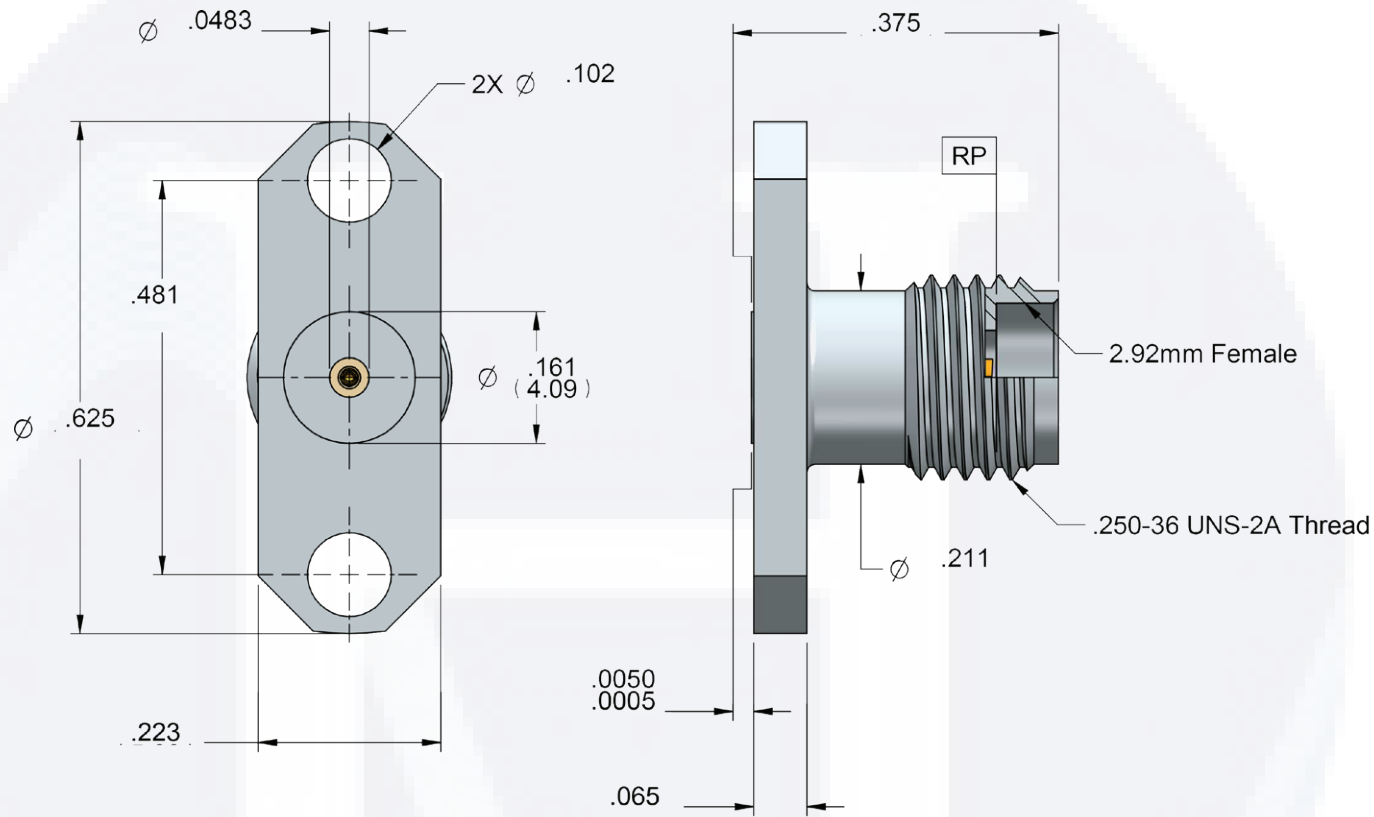
- Frequency Range DC-40 GHz
- VSWR DC-27.0 GHz: 1.10:1
27.0-40 GHz: 1.15:1
- Impedance 50 Ohms
- Temperature Rating -55°C to +105°C
- Insulation Resistance 5,000 MΩ Min
- Center Conductor Resistance 3.0 mΩ Max
- Impedance 50 Ω
- Contact Durability 500 Cycles
- Mating Torque 9.0 in-lbs

Material


- Housing Passivated Stainless Steel
- Center Conductor Gold Plated Beryllium Copper (BeCu)
- Dielectric Neoflon

To view online, go to: <https://www.hasco-inc.com/connectors/2-92mm-connectors/2-92mm-female-connector-2-hole-625-long-flange-accepts-012-pin-dia-dc-to-40-ghz/>

29J-2H-625-012 | DC-40 GHz | Outline Drawing



To view online, go to: <https://www.hasco-inc.com/connectors/2-92mm-connectors/2-92mm-female-connector-2-hole-625-long-flange-accepts-012-pin-dia-dc-to-40-ghz/>

LTR	DESCRIPTION	DATE	APPR.	DRAWN BY: JMS	CHECKED BY: TAC		5214 Bonsai Street • Moorpark, CA 93021 (888) 498-3242 • sales@hasco-inc.com www.hasco-inc.com		
-	RELEASE	12/16	TAC	APPROVED BY: TAC			MATERIALS: SEE DATA SHEET	CAGE CODE: 0T8L4	SCALE: N/A
A	Materials	09/19	TAC	THESE DRAWINGS AND SPECIFICATIONS ARE THE PROPERTY OF HASCO COMPONENTS AND SHALL NOT BE REPRODUCED, COPIED NOR USED - IN WHOLE OR IN PART - AS THE BASIS FOR THE MANUFACTURE OR SALE OF OTHER ITEMS WITHOUT THE EXPRESS, WRITTEN PERMISSION OF HASCO COMPONENTS.		FINISHES: SEE DATA SHEET	PART NO./DRAWING NO. 29J-2H-625-012		REV: A
				TOLERANCES - UNLESS OTHERWISE NOTED:					
				DECIMALS	INCHES	MM			
				.X"	.075"	[1.9]			
				.XX"	.050"	[1.3]			
				.XXX"	.030"	[0.76]			
THIS DRAWING IS A CONTROLLED DOCUMENT									