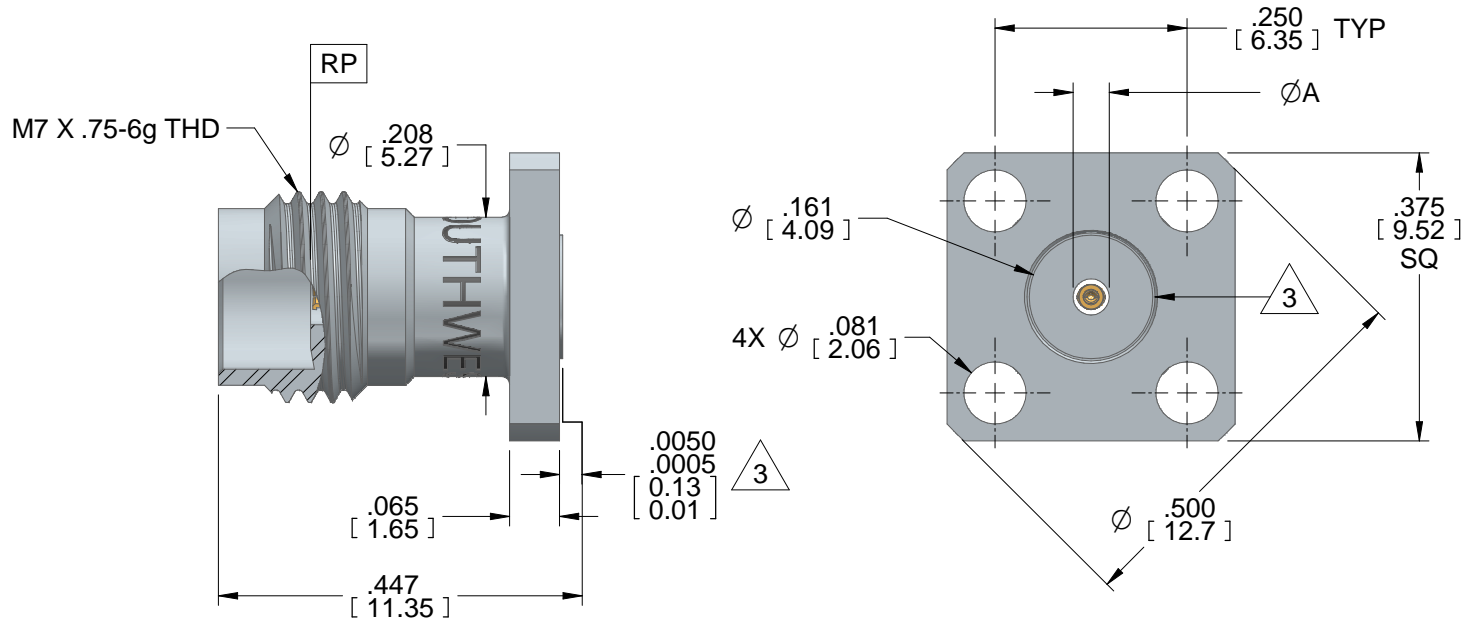


DWG No.:

91R60816

NOTE: Information herein is believed by Southwest Microwave, Inc. to be accurate. However, Southwest Microwave assumes no responsibility for any omissions or errors or inaccuracies for its use or for any infringements of patents or other rights of third parties that may result from its use. Data is intended for informational purpose only and does not constitute a contract of sale or any express or implied warranty, including any warranty of merchant ability or fitness for a particular purpose.



|               |  |
|---------------|--|
| HOUSING:      | STEEL, CRES ALLOY UNS 30300 PER ASTM A582<br>PASSIVATED PER ASTM A967-99 |
| CONTACT:      | BeCu UNS C17300 PER ASTM B196<br>GOLD PLATE PER MIL-DTL-45204            |
| BEAD:         | VIRGIN PTFE FLUOROCARBON PER ASTM D1710, TYPE 1 GRADE 1,<br>CLASS B      |
| CAPTURE BEAD: | ULTEM 1000 PER ASTM D5205  |
| ITEM          | MATERIAL & FINISH  |

| Model     | Pin Size | Max. Pin Depth | $\phi A$ |
|-----------|----------|----------------|----------|
| 1812-02SF | .009     | .065           | .047     |
| 1812-05SF | .012     | .065           | .056     |

3. 360° RAISED METAL GROUNDING RING.

2. SEE DOCUMENT NO. 91R60815 FOR PRODUCT SPECIFICATIONS.

1. ALL DIMENSIONS ARE IN INCHES. ALL ANGLES ARE IN DEGREES.  
DIMENSIONS SHOWN IN BRACKETS [XXX] ARE IN MILLIMETERS.

NOTES: UNLESS OTHERWISE SPECIFIED.

|           |                                       |               |                  |
|-----------|---------------------------------------|---------------|------------------|
| REV<br>A1 | ADDED MODEL 1812-05SF<br>PER ECN 9106 | APRVD.<br>PLC | DATE:<br>3/14/13 |
|-----------|---------------------------------------|---------------|------------------|



Southwest Microwave, Inc.  
9055 South McKemy Street  
Tempe, Arizona 85284-2946  
Telephone (480) 783-0201  
Fax (480) 783-0360

TITLE  
**1.85mm Jack (Female)  
.375" Square Flange**

|                |                  |                             |                   |
|----------------|------------------|-----------------------------|-------------------|
| DRN BY:<br>EAG | DATE:<br>4/30/12 | DWG. NO.<br><b>91R60816</b> | REV.<br><b>A1</b> |
| SHEET: 1 OF 1  |                  |                             |                   |