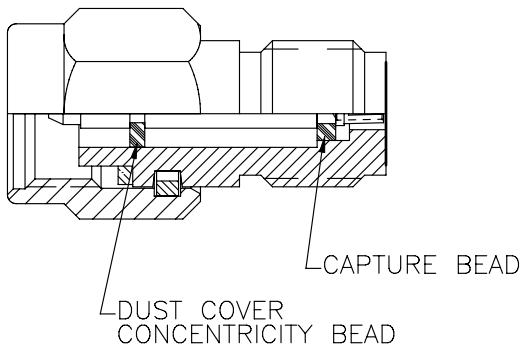
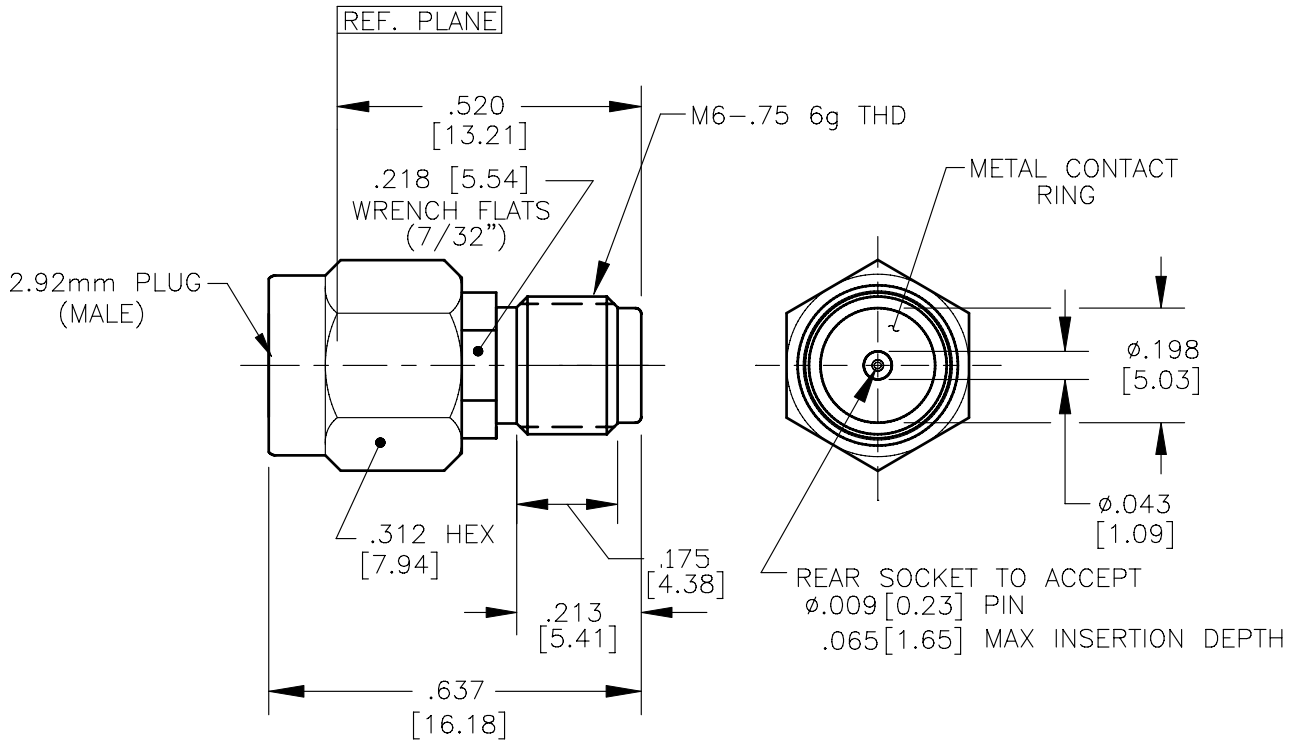


NOTE: Information herein is believed by Southwest Microwave, Inc. to be accurate. However, Southwest Microwave assumes no responsibility for any omissions or errors or inaccuracies for its use or for any infringements of patents or other rights of third parties that may result from its use. Data is intended for informational purpose only and does not constitute a contract of sale or any express or implied warranty, including any warranty of merchant ability or fitness for a particular purpose.



HOUSING AND COUPLING NUT:	STEEL, CRES ALLOY UNS-S30300 PER ASTM-A582. PASSIVATE PER ASTM-A967-99
CONTACT:	BeCu UNS-C17300 PER ASTM-B-196/197 GOLD PLATE PER MIL-G-45204
DIELECTRIC:	KEL-F PER MIL-P-46036 ULTEM 1000 PER ASTM-D-5205.
RETAINING RING:	BeCu UNS-C17300 PER ASTM-B-196/197
GASKET:	SILICONE RUBBER PER ZZ-R-765
<b>MATERIAL &amp; FINISH</b>	


2. INTERFACE I.A.W. MIL-STD-348

1. ALL DIMENSIONS ARE IN INCHES, ALL ANGLES ARE IN DEGREES. DIMENSIONS SHOWN IN BRACKETS [XXX] ARE IN MILLIMETERS.

TOLERANCES ARE BASED UPON DIMENSIONS IN INCHES. METRIC DIMENSIONS ARE FOR "REFERENCE ONLY".

CONTACT GAGING SPEC.	91P57921
SPECIFICATIONS	91K58925
INTERFACE	91K52018
SPECIFICATION GROUP	DRAWING NO.

NOTES: UNLESS OTHERWISE SPECIFIED

REV —	PRELIMINARY RELEASE	DATE: 8/13/07	APRVD. EJO	DATE: 8/13/07	TITLE 2.92mm PLUG THREAD-IN .520L WITH M6-.75 REAR THREAD REAR SOCKET TO ACCEPT (.009) DIA. PIN				
 <b>Southwest Microwave, Inc.</b> 9055 South McKemy Street Tempe, Arizona 85284-2946 Telephone (480) 783-0201 Fax (480) 783-0360					DRN BY: EJO	DATE: 8/07	MODEL NO.	1021-10SF	REV. —
					SCALE: 3:1		DWG. NO.		
					SHEET: 1 OF 1		SK-2458		