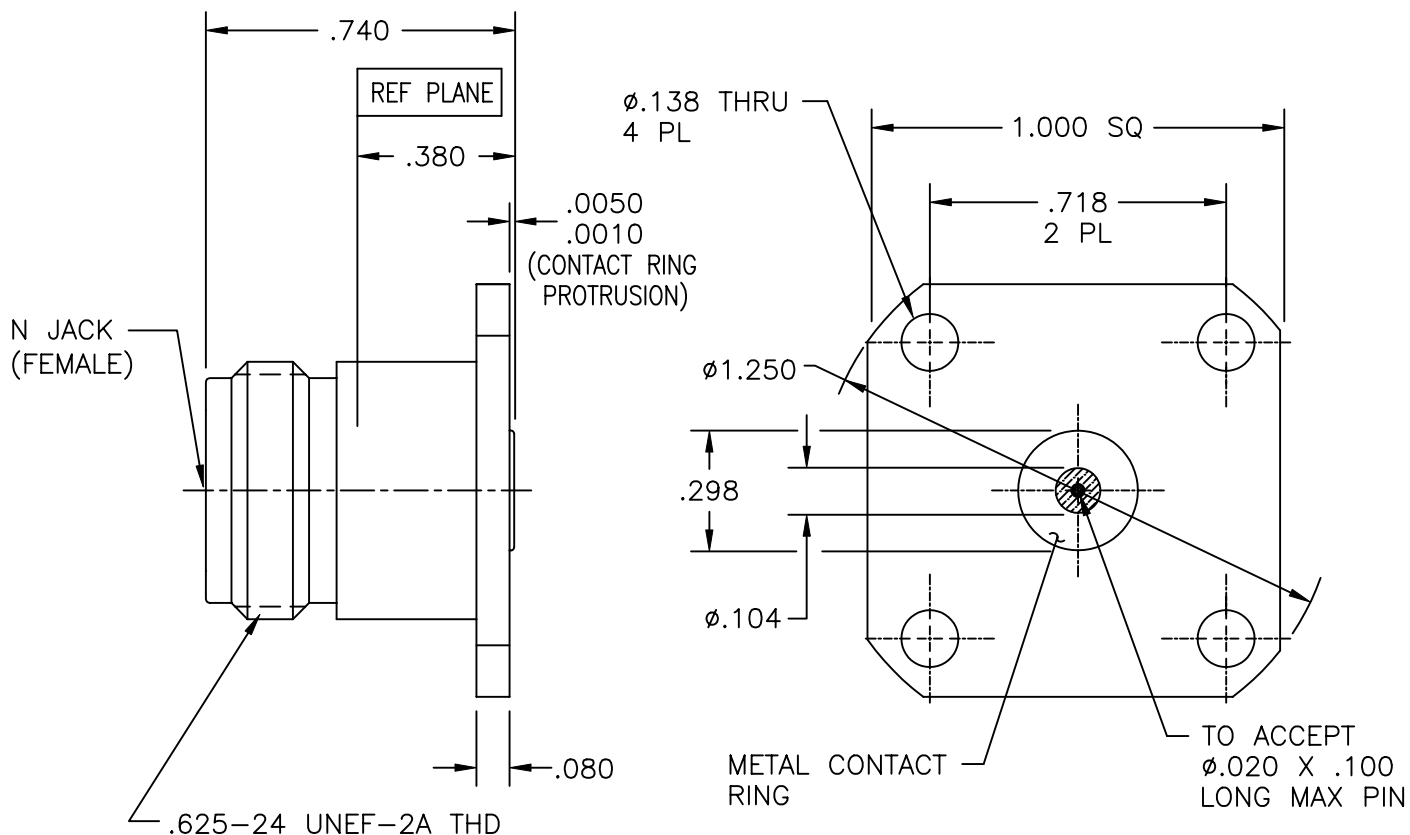


NOTE: Information herein is believed by Southwest Microwave, Inc. to be accurate. However, Southwest Microwave assumes no responsibility for any omissions or errors or inaccuracies for its use or for any infringements of patents or other rights of third parties that may result from its use. Data is intended for informational purpose only and does not constitute a contract of sale or any express or implied warranty, including any warranty of merchant ability or fitness for a particular purpose.



HOUSING:	STEEL, CRES ALLOY UNS-S30300 PER ASTM-A582. PASSIVATE PER QQ-P-35.
CONTACT:	BeCu UNS-C17300 PER ASTM-B-196/197 GOLD PLATE PER MIL-G-45204
DIELECTRIC INSULATOR:	VIRGIN TFE FLUOROCARBON PER ASTM-D-1710 AND ASTM-D-1457
BEAD RING:	ULTEM 1000 PER ASTM-D-5205
MATERIAL & FINISH	

2. INTERFACE IN ACCORDANCE WITH MIL-STD-348.

1. ALL DIMENSIONS ARE IN INCHES, ALL ANGLES ARE IN DEGREES.

NOTES: UNLESS OTHERWISE SPECIFIED

CONTACT GAGING SPEC.	91C54030
SPECIFICATIONS	91C57619
SPECIFICATION GROUP	DRAWING NO.

REV A	RELEASE	DATE: 11/12/04	APRVD. R.BOAK	DATE: 11/12/04
-------	---------	----------------	---------------	----------------

TITLE MODEL 312-01SF
N JACK 4 HOLE 1.00SQ FLANGE
REAR SOCKET TO ACCEPT .020 DIA PIN



Southwest Microwave, Inc.
9055 South McKerny Street
Tempe, Arizona 85284-2946
Telephone (480) 783-0201
Fax (480) 783-0360

DRN BY: EJO	DATE: 11/04	DWG. NO.	REV. A
SCALE: 2:1	79C58570		
SHEET: 1 OF 1			

O.L.-A-203 REV A