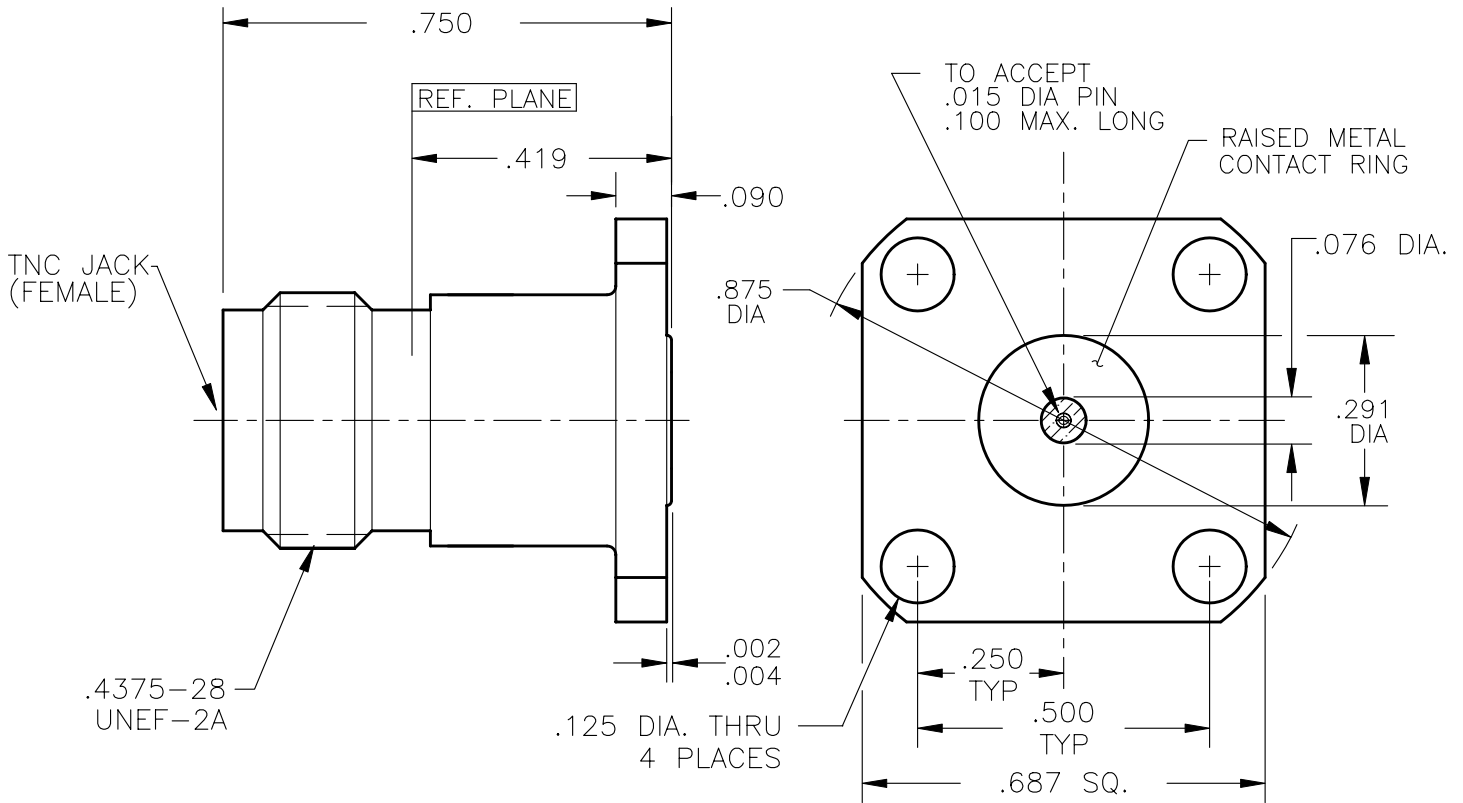


NOTE: Information herein is believed by Southwest Microwave, Inc. to be accurate. However, Southwest Microwave assumes no responsibility for any omissions or errors or inaccuracies for its use or for any infringements of patents or other rights of third parties that may result from its use. Data is intended for informational purpose only and does not constitute a contract of sale or any express or implied warranty, including any warranty of merchant ability or fitness for a particular purpose.



HOUSING:	STEEL, CRES ALLOY UNS-S30300 PER ASTM-A582. PASSIVATE PER QQ-P-35.
CONTACT:	BeCu UNS-C17300 PER ASTM-B-196/197 GOLD PLATE PER MIL-G-45204
DIELECTRIC INSULATOR:	VIRGIN TFE FLUOROCARBON PER ASTM-D-1710 AND ASTM-D-1457
BEAD RING:	ULTEM 1000 PER ASTM-D-5205
<b>MATERIAL &amp; FINISH</b>	

CONTACT GAGING SPEC. .015 REAR SOCKET	91B52103
CONTACT GAGING SPEC. TNC SOCKET	91D52110
SPECIFICATIONS	91D58286
INTERFACE	91D52007
<b>SPECIFICATION GROUP</b>	<b>DRAWING NO.</b>

2. INTERFACE IN ACCORDANCE WITH MIL-STD-348.

1. ALL DIMENSIONS ARE IN INCHES, ALL ANGLES ARE IN DEGREES.

NOTES: UNLESS OTHERWISE SPECIFIED

REV A1	ECN: 8191	INIT: EJO	DATE: 2/28/05	APRVD. R.BOAK	DATE: 2/28/05
-----------	--------------	--------------	------------------	------------------	------------------



**Southwest Microwave, Inc.**  
9055 South McKemy Street  
Tempe, Arizona 85284-2946  
Telephone (480) 783-0201  
Fax (480) 783-0360

TITLE  
MODEL 412-29SF  
ULTEM CAPTURE TNC JACK 11/16SQ FLANGE  
TO ACCEPT .015 DIA. PIN

DRN BY: EJO	DATE: 4/04
SCALE: 3:1	
SHEET: 1 OF 1	

DWG. NO.

79D58235

REV.  
A1