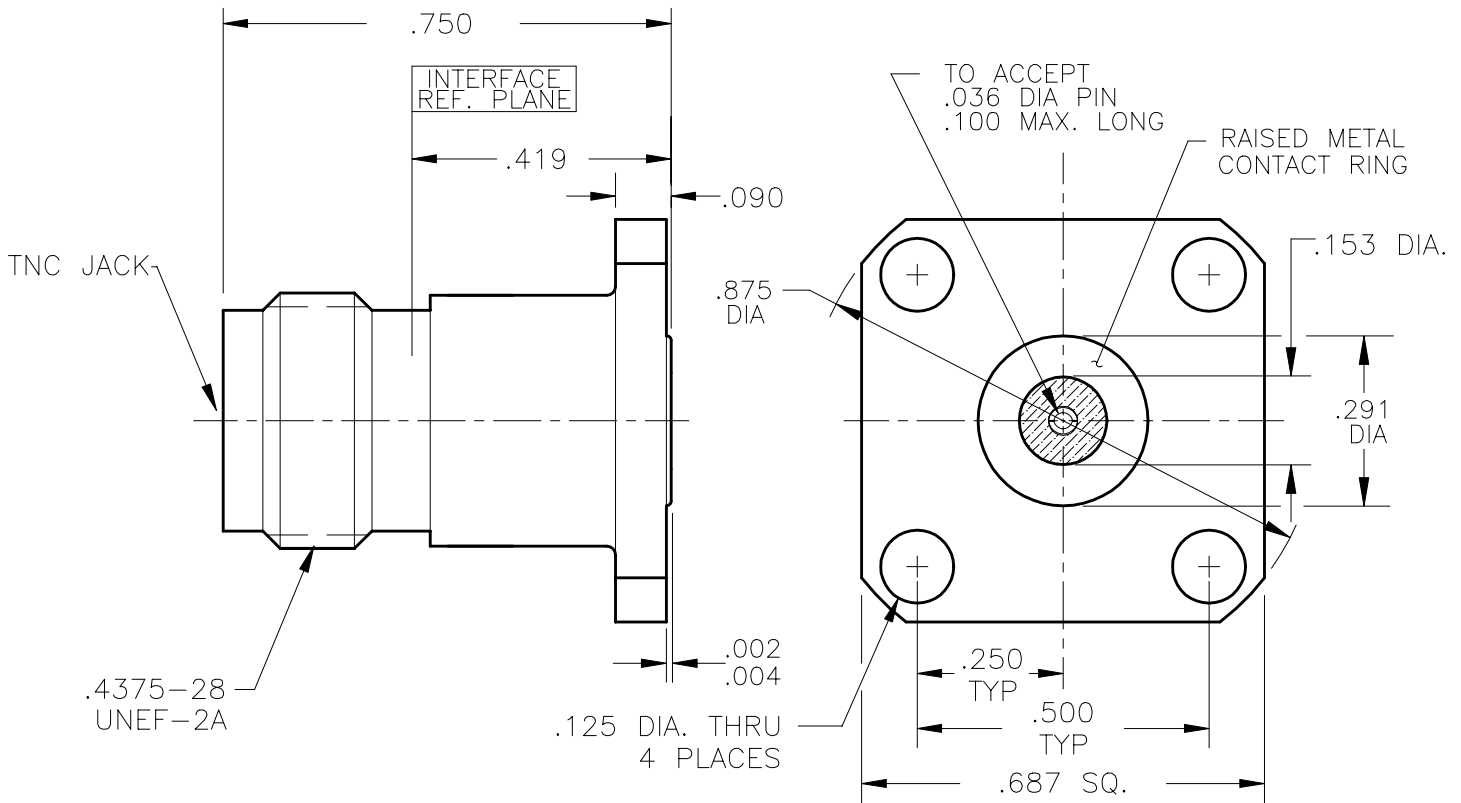


NOTE: Information herein is believed by Southwest Microwave, Inc. to be accurate. However, Southwest Microwave assumes no responsibility for any omissions or errors or inaccuracies for its use or for any infringements of patents or other rights of third parties that may result from its use. Data is intended for informational purpose only and does not constitute a contract of sale or any express or implied warranty, including any warranty of merchant ability or fitness for a particular purpose.



TNC JACK

.4375-28
UNEF-2A

INTERFACE
REF. PLANE

TO ACCEPT
.036 DIA PIN
.100 MAX. LONG

RAISED METAL
CONTACT RING

.875
DIA

.153 DIA.

.291
DIA

.125 DIA. THRU
4 PLACES

.250
TYP

.500
TYP

.687 SQ.


HOUSING:	STEEL, CRES ALLOY UNS-S30300 PER ASTM-A582. PASSIVATE PER QQ-P-35.
CONTACT:	BeCu UNS-C17300 PER ASTM-B-196/197 GOLD PLATE PER MIL-G-45204
DIELECTRIC INSULATOR:	VIRGIN TFE FLUOROCARBON PER ASTM-D-1710 AND ASTM-D-1457
BEAD RING:	ULTEM 1000 PER ASTM-D-5205
MATERIAL & FINISH	

CONTACT GAGING SPEC. .036 REAR SOCKET	91B54605
CONTACT GAGING SPEC. TNC SOCKET	91D52110
SPECIFICATIONS	91D57608
INTERFACE	91D52007
SPECIFICATION GROUP	DRAWING NO.

2. INTERFACE IN ACCORDANCE WITH
MIL-STD-348.

1. ALL DIMENSIONS ARE IN INCHES,
ALL ANGLES ARE IN DEGREES.

NOTES: UNLESS OTHERWISE SPECIFIED

REV A	RELEASE	DATE: 4/30/04	APRVD. BC	DATE: 4/30/04	TITLE MODEL 412-36SF ULTEM CAPTURE TNC JACK 11/16SQ FLANGE TO ACCEPT .036 DIA. PIN										
 <p>Southwest Microwave, Inc. 9055 South McKemy Street Tempe, Arizona 85284-2946 Telephone (480) 783-0201 Fax (480) 783-0360</p>					<table border="1"> <tr> <td>DRN BY: EJO</td> <td>DATE: 4/04</td> <td>DWG. NO.</td> <td>REV. A</td> </tr> <tr> <td colspan="2">SCALE: 3:1</td> <td rowspan="2">79D58284</td> <td rowspan="2">A</td> </tr> <tr> <td colspan="2">SHEET: 1 OF 1</td> </tr> </table>	DRN BY: EJO	DATE: 4/04	DWG. NO.	REV. A	SCALE: 3:1		79D58284	A	SHEET: 1 OF 1	
DRN BY: EJO	DATE: 4/04	DWG. NO.	REV. A												
SCALE: 3:1		79D58284	A												
SHEET: 1 OF 1															

O.L.-A-303 REV B