

Part No:

221-34-50-001



Type N Female Termination, 2 Watts • DC - 18 GHz

221-34-50-001 is an N Type Female RF Load / RF Termination manufactured by HASCO Components. 221-34-50-001 is rated for operation from DC to 18 GHz and rated for 2 Watt.

The 221-34-50-001 is RoHS compliant.



RF Loads, also known as Terminations are used to prevent signals from flowing back into a transmission line causing unwanted distortion and power loss. Terminations are available for coaxial transmission lines and waveguide.

Electrical

- Impedance 50 Ohms
- Frequency Range DC - 18 GHz
- Power Rating 2 Watts at 25°C
- Return Loss 15 dB Max

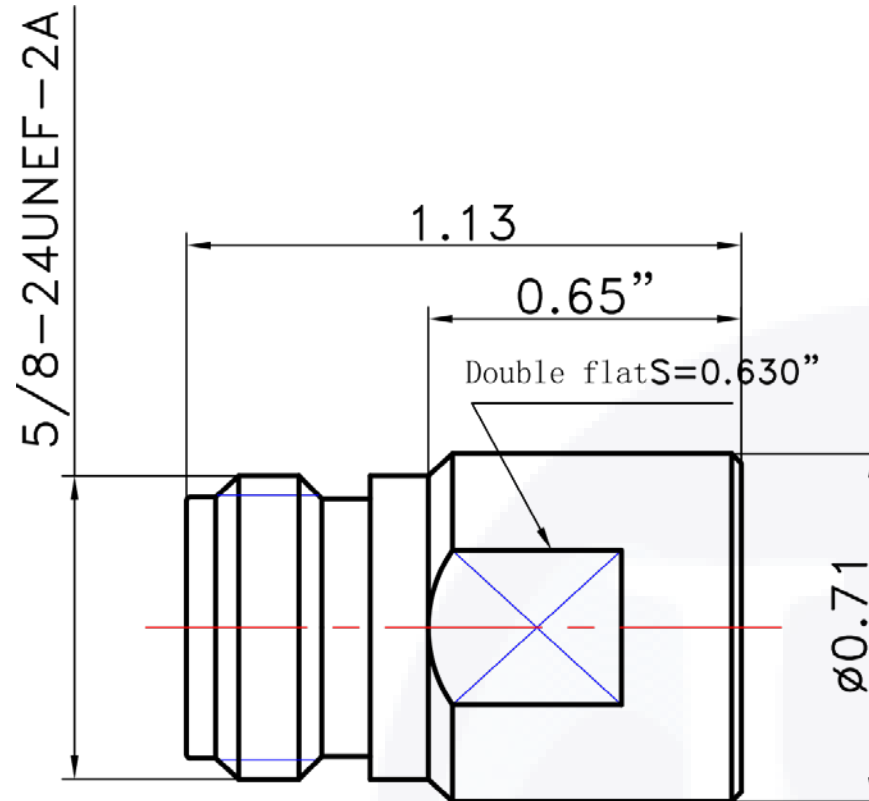
Environmental Data


- Temperature Range -55°C - +125°C

Material

- Body Tri-Metal Alloy over Brass
- Center Conductor Gold Plated Nickel over BeCu
- Dielectric PTFE

Type N Female Termination | DC - 18 GHz • 2 Watts | Outline Drawing



LTR	DESCRIPTION	DATE	APPR.	DRAWN BY: JS	CHECKED BY: TAC	 <p>5214 Bonsai Street • Moorpark, CA 93021 (888) 498-3242 • sales@hasco-inc.com www.hasco-inc.com</p>	
-	RELEASE	03/05	TAC	APPROVED BY: TAC			
A	Drawing Format/Specs Update	11/21	TAC	THESE DRAWINGS AND SPECIFICATIONS ARE THE PROPERTY OF HASCO COMPONENTS AND SHALL NOT BE REPRODUCED, COPIED NOR USED - IN WHOLE OR IN PART - AS THE BASIS FOR THE MANUFACTURE OR SALE OF OTHER ITEMS WITHOUT THE EXPRESS, WRITTEN PERMISSION OF HASCO COMPONENTS.			
				TOLERANCES - UNLESS OTHERWISE NOTED:		MATERIALS: SEE DATA SHEET	
				DECIMALS	INCHES	MM	CAGE CODE: OT8L4
THIS DRAWING IS A CONTROLLED DOCUMENT							SCALE: N/A
							SIZE: A
							REV: A
							PART NO./DRAWING NO. 221-34-50-001