

Part No:

231-34-50-001



2 Watt RF Load Termination with N Type Male Connector, DC-18 GHz

The HASCO **231-35-50-001** is an RF termination (also called RF load or dummy load) that operates from DC to 18 GHz and handles up to 2 Watts (CW). Our Type N termination/load has a male gender.

The HASCO **231-35-50-001** is RoHS compliant.



RF load/terminations are indispensable components in many RF, microwave and millimeter wave systems where signal reflection from unused ports can potentially damage the device or reduce the signal integrity. By using a termination on an unused port with a matched load (dummy load), the incident energy will be absorbed with minimal reflection. These termination components are commonly used to terminate devices such as couplers, circulators, and switches. They are also widely used in measurement systems to ensure accurate results. HASCO offers a huge selection of RF, microwave and millimeter wave terminations up to 65 GHz with excellent performance over the entire operating range and power handling capabilities up to 800 Watt (CW).

Electrical

• Frequency Range	DC - 18 GHz
• Return Loss	DC - 4 GHz 32dB 4 - 8 GHz 23dB 8-18 GHz 15dB
• Impedence	50 Ohms
• Power	2 Watt Average
• Power Peak	1 KWatt

Mechanical Data

• Durability	500 Cycles Min
• Coupling Nut Torque	0.7 ~ 6Nm (Proof torque: 1.7Nm)
• Coupling Nut Retention	450N Min

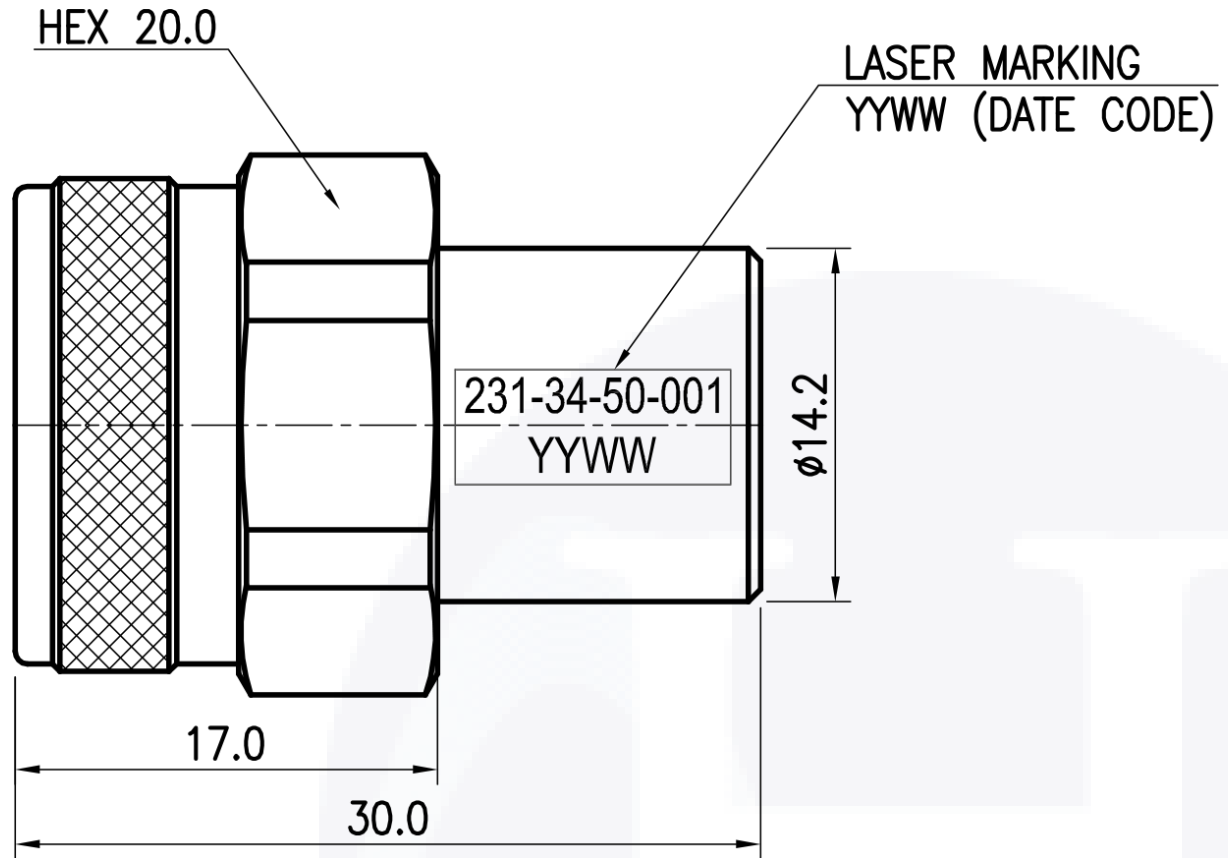
Environmental Data


• Temperature Range	-55°C - +125°C..
---------------------	------------------

Material

• Body, Coupling Nut	Ternary alloy plated Brass
• Center Contact	Gold Plated Brass
• Insulator	PTFE
• Gasket	Silicone Rubber
• C-ring	Passivated Stainless Steel

To view online, go to: [2 Watt RF Load Termination with N Type Male Connector, DC-18 GHz](#)



LTR	DESCRIPTION	DATE	APPR.	DRAWN BY: <i>SG Park</i>	CHECKED BY: <i>WY Cho</i>		5214 Bonsai Street • Moorpark, CA 93021 (888) 498-3242 • sales@hasco-inc.com www.hasco-inc.com			
-	RELEASE	12/16	TAC	APPROVED BY: <i>WY Cho</i>						
				THESE DRAWINGS AND SPECIFICATIONS ARE THE PROPERTY OF HASCO COMPONENTS AND SHALL NOT BE REPRODUCED, COPIED NOR USED - IN WHOLE OR IN PART - AS THE BASIS FOR THE MANUFACTURE OR SALE OF OTHER ITEMS WITHOUT THE EXPRESS, WRITTEN PERMISSION OF HASCO COMPONENTS.			MATERIALS:	CAGE CODE:	SCALE:	SIZE:
							SEE DATA SHEET	OT8L4	NS	A
				TOLERANCES - UNLESS OTHERWISE NOTED: ALL DIMS IN MILLIMETERS 1 PLACE ±0.20 ANGLE ±1.0° 2 PLACE ±0.10			FINISHES:	PART NO./DRAWING NO.	REV:	
							SEE DATA SHEET	231-34-50-001	-	
THIS DRAWING IS A CONTROLLED DOCUMENT										