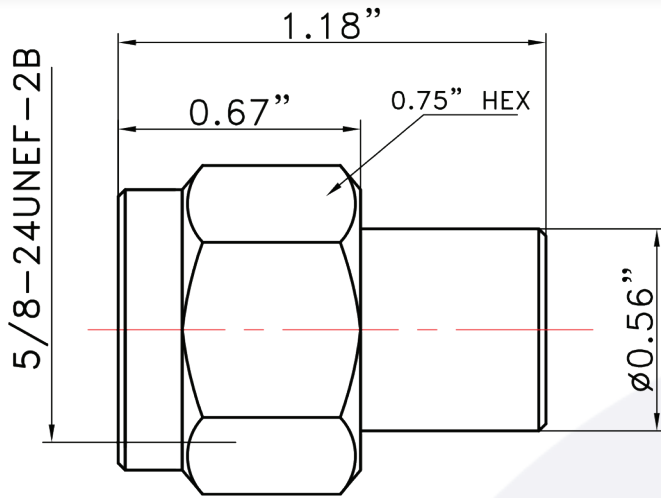




Type N Male Termination • DC - 18 GHz

Part No: 231-34-50-002



Electrical

- **Frequency Range** DC - 18 GHz
- **Return Loss** DC - 4 GHz.....25 dB Max
4 - 6 GHz18 dB Max
- **Impedance** 50 Ohms
- **RF Power Nominal** 2 Watt Average at 25°C
Derated Linearly to
1 Watt at 125°C

Material

- **Resistive Element** Thin Film
- **Resistor Substrate** Alumina Ceramic
- **Body** Ternary-alloy Plated Brass
- **Hex Nut** Ternary-alloy Plated Brass
- **Center Contact** Gold Plated Brass per MIL-G-45204

Environmental Data

- **Temperature Range** -55°C - 125°C
- **Interface** MIL-STD-348A

Typical Performance

