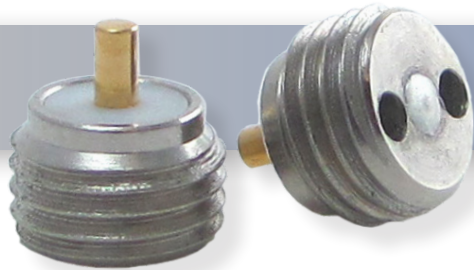


Part No:

HT18EMS



Thread in RF Load Termination with SMA Male Connector, 2 Watt - 18 GHz

The HASCO **HT18EMS** is an SMA Male RF Load / RF Termination manufactured by HASCO Components. HT18EMS is rated for operation from DC to 18 GHz and rated for 2 Watt.

The HT18EMS is RoHS compliant.



RF Loads, also known as Terminations are used to prevent signals from flowing back into a transmission line causing unwanted distortion and power loss. Terminations are available for coaxial transmission lines and waveguide.

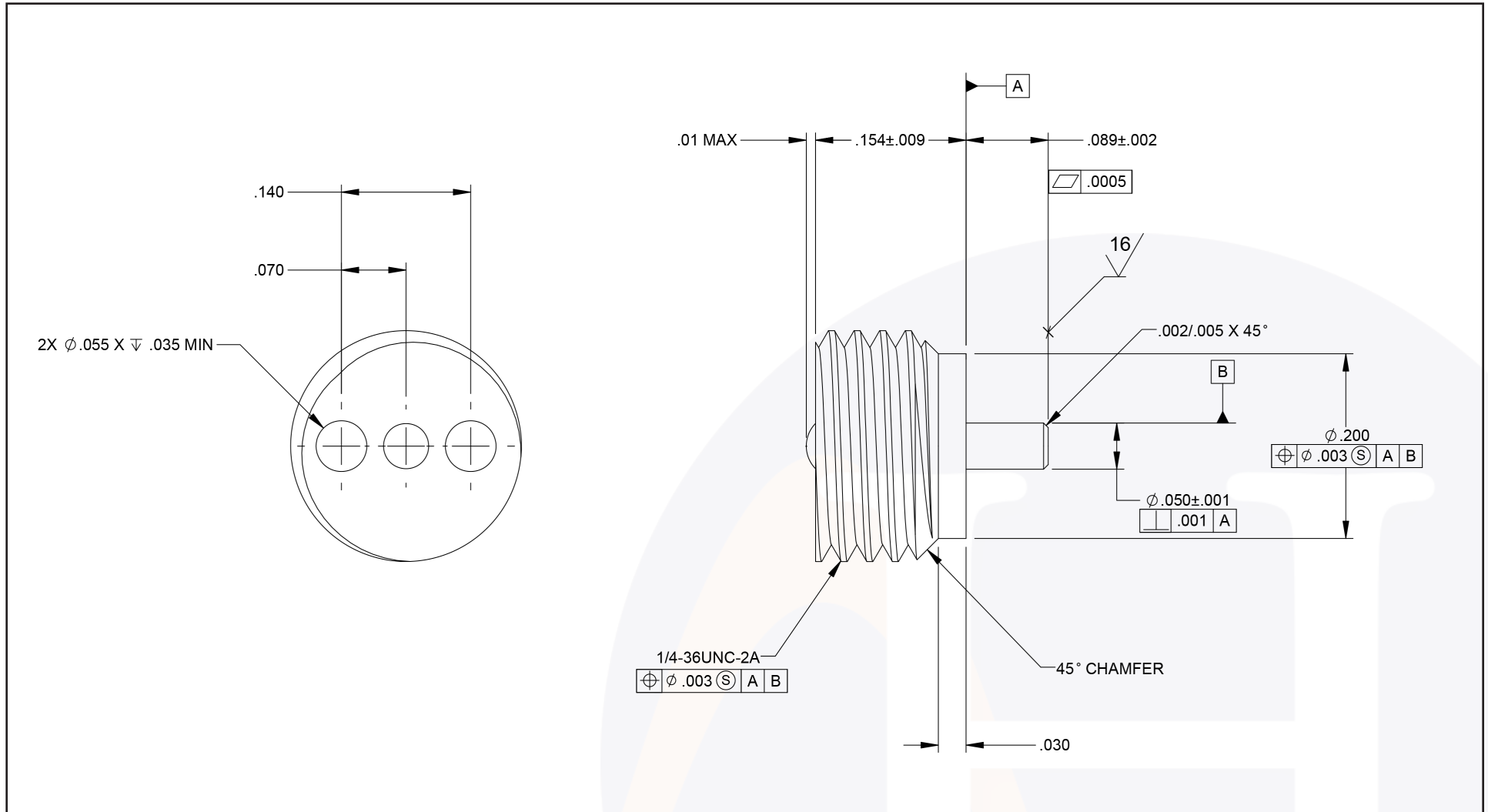
Electrical


- Impedance 50 Ohms
- Frequency Range DC - 18 GHz
- VSWR 1.10:1 Max.....1.15:1 Max.....1.20:1 Max.....1.30:1 Max
DC - 4 GHz.....4.1 - 8 GHz.....8.1 - 12 GHz.....12.1 - 18 GHz
- Axial Contact Retention Force 5 lbs Min
- Power Rating 2 WCW Min. with shell Temp. @ 60°C
- Temperature Range -55°C to 85°C (operating), -55°C to 125°C (storage)

Material

- Body UNS-S30300 **Stainless Steel** PER ASTM-A582/A582M (Plating: **Nickel** PER QQ-N-290, over **Copper** Flash PER MI-C-14550)
- Contact **BeCu** Alloy UNS-C17200 or UNS-C17300 PER ASTM-B196 (Plating: **Gold** PER ASTM-B488 or MIL-G-45204 over **Nickel** PER QQ-N-290 over **Copper Flash** PER MIL-C-14550)
- Dielectric **PTFE** PER ASTM-D1710

Thread-In RF Load Termination with SMA Male Connector, 2 Watt | DC - 18 GHz | Outline Drawing



LTR	DESCRIPTION	DATE	APPR.	DRAWN BY: NS	REVIEWED BY: JS		5214 Bonsai Street • Moorpark, CA 93021 (888) 498-3242 • sales@hasco-inc.com www.hasco-inc.com			
-	RELEASE	2/10	TC		APPROVED BY: TC					
B	REVISED PER ECO 9843	6/10	TC	THESE DRAWINGS AND SPECIFICATIONS ARE THE PROPERTY OF HASCO COMPONENTS AND SHALL NOT BE REPRODUCED, COPIED NOR USED - IN WHOLE OR IN PART - AS THE BASIS FOR THE MANUFACTURE OR SALE OF OTHER ITEMS WITHOUT THE EXPRESS, WRITTEN PERMISSION OF HASCO COMPONENTS.			MATERIALS:	CAGE CODE:	SCALE:	SIZE:
C	REVISED PER ECO 10938	9/14	TC				SEE DATA SHEET	0T8L4	N/A	A
D	REVISED PER ECO 12973	10/23	TC				FINISHES:	PART NO./DRAWING NO.		REV:
							SEE DATA SHEET	HT18EMS		D
THIS DRAWING IS A CONTROLLED DOCUMENT										