

MATERIAL & FINISH

- 1 BODY: BRASS, GOLD PLATED
- 2 CENTER CONTACT: BERYLLIUM COPPER ALLOY, GOLD PLATED
- 3 INSULATOR: PTFE & PEI
- 4 RADIATOR: BRASS, ALBALOY PLATED
- 5 RESISTANCE: BERYLLIUM OXIDE

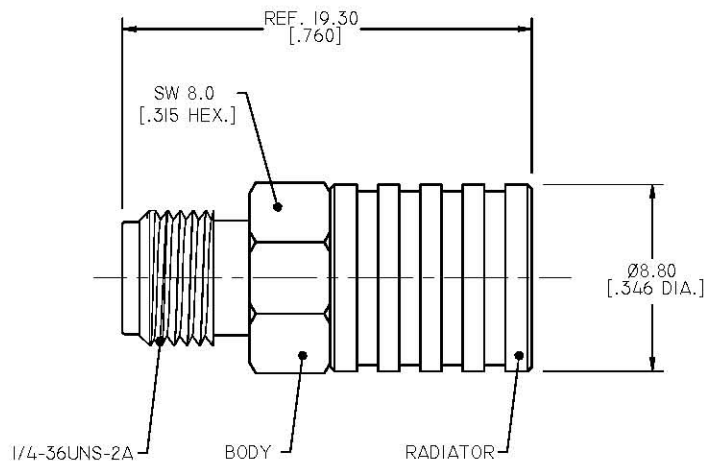
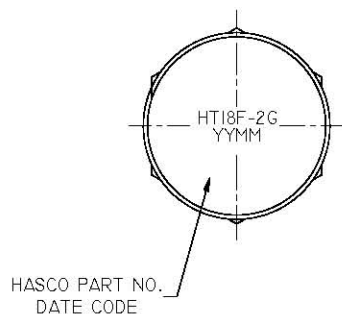
ENVIRONMENTAL DATA:

- 1 TEMPERATURE RANGE: -55°C~+125°C
- 2 2011/65/EU (RoHS): COMPLIANT

ELECTRICAL DATA:

- 1 IMPEDANCE: 50 OHMS
- 2 FREQUENCY RANGE: DC~18 GHz
- 3 VSWR: 1.10 MAX. AT DC~6 GHz  
1.20 MAX. AT 6~18 GHz
- 4 AVERAGE POWER: 2 WATTS AVERAGE TO 25°C AMBIENT TEMPERATRUE, DERATED LINEARLY TO 0.2W @ 125°C
- 5 PEAK POWER: 0.25KW (5μs PULSE WIDTH WITH 0.8% DUTY CYCLE)

REVISIONS			
REV.	DESCRIPTION	DATE	APPROVED
A	INITIAL RELEASE	11/16/15	J. QU
B	OUTLINE DRAWING CHANGED	12/07/15	J. QU



NOTES:

- 1 ALL SPECIFICATIONS ARE SUBJECT TO CHANGE WITHOUT NOTICE AT ANY TIME.
- 2 CUSTOMER OUTLINE DRAWING FOR REFERENCE ONLY.
- 3 THIS PRODUCT CONTAINS BERYLLIA CERAMIC INSIDE, WHICH IS POTENTIALLY HARMFUL TO THE ENVIRONMENT. DISPOSE OF CORRECTLY.

DRAWN	X. B. YANG	DATE	12/07/15
CHECKED	L. YANG	DATE	12/07/15
APPROVED	J. QU	DATE	12/07/15
UNLESS OTHERWISE SPECIFIED DIMENSIONS ARE IN MILLIMETERS, DIMENSIONS IN [ ] ARE IN INCHES FOR CUSTOMER REFERENCE ONLY UNLESS OTHERWISE SPECIFIED TOLERANCE ARE:		THESE DRAWINGS AND SPECIFICATIONS ARE THE PROPERTY OF HASCO COMPONENTS AND SHALL NOT BE REPRODUCED, COPIED NOR USED - IN WHOLE OR IN PART - AS A BASIS FOR THE MANUFACTURE OR SALE OF OTHER ITEMS WITHOUT THE EXPRESS WRITTEN PERMISSION OF HASCO COMPONENTS	
.XX	±0.13 [ .005"]		
.X	±0.20 [ .008"]		
X	±0.50 [ .019"]		
.X°	±1°		
X°	±2°		



**HASCO, INC**  
COMPONENTS DISTRIBUTOR

5214 Bonsai Street  
Moorpark, CA  
(888) 498-3242  
www.hasco-inc.com

TITLE  
COAXIAL TERMINATION  
SMA FEMALE, 2 WATTS, DC~18GHZ

VIEW	PART NO. <b>HT18F-2G</b>		SIZE A3	SCALE 4:1	SHEET 1/1	REV. B
------	-----------------------------	--	------------	--------------	--------------	-----------