

Part No:

# HT18M-2



## 2 Watt RF Load Termination with SMA Male Connector - DC to 18 GHz

The HASCO **HT18M-2** is an SMA Male RF Load / RF Termination manufactured by HASCO Components. HT18M-2 is rated for operation from DC to 18 GHz and rated for 2 Watt. RF Loads, also known as Terminations are used to prevent signals from flowing back into a transmission line causing unwanted distortion and power loss.

The HT18M-2 is RoHS compliant.



RF load/terminations are indispensable components in many RF, microwave and millimeter wave systems where signal reflection from unused ports can potentially damage the device or reduce the signal integrity. By using a termination on an unused port with a matched load (dummy load), the incident energy will be absorbed with minimal reflection. These termination components are commonly used to terminate devices such as couplers, circulators, and switches. They are also widely used in measurement systems to ensure accurate results. HASCO offers a huge selection of RF, microwave and millimeter wave terminations up to 65 GHz with excellent performance over the entire operating range and power handling capabilities up to 800 Watt (CW).

### Electrical

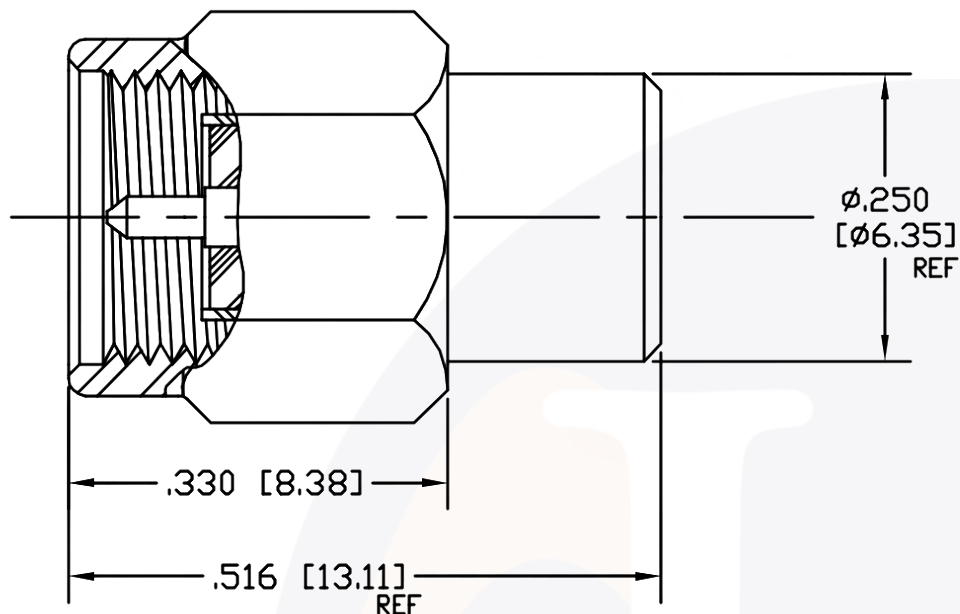
• Impedance	50 Ohms			
• Frequency Range	DC - 18 GHz			
• VSWR	DC - 4 GHz 1.05:1	4 - 8 GHz 1.10:1	8 - 12.4 GHz 1.15:1	12.4 - 18 GHz 1.20:1
• Power	2 Watts (avg), 500 Watts (peak) Power derates linearly from 45°C to <10% @ 125°C			
• Temperature Range	-55°C to 125°C			


### Material

• Body	Passivated Stainless Steel
• Nut	Passivated Stainless Steel
• Dielectric	PTFE (Per ASTM D1710)
• Inner Conductor	Gold Plated BeCu (Per ASTM B196 & B197, MIL-PRF-39012)
• Outer Conductor	Passivated Stainless Steel (Per ASTM A484 & A582, Class 303, Cond. A)

Connector interface complies with MIL-PRF-39012 & MIL-STD-348 for SMA mating characteristics.

2 Watt RF Load Termination with SMA Male Connector | DC - 18 GHz | Outline Drawing



LTR	DESCRIPTION	DATE	APPR.	DRAWN BY: NS	REVIEWED BY: JS	 5214 Bonsai Street • Moorpark, CA 93021 (888) 498-3242 • sales@hasco-inc.com <a href="http://www.hasco-inc.com">www.hasco-inc.com</a>						
-	RELEASE	12/16	TC		APPROVED BY: TC							
				THESE DRAWINGS AND SPECIFICATIONS ARE THE PROPERTY OF HASCO COMPONENTS AND SHALL NOT BE REPRODUCED, COPIED NOR USED - IN WHOLE OR IN PART - AS THE BASIS FOR THE MANUFACTURE OR SALE OF OTHER ITEMS WITHOUT THE EXPRESS, WRITTEN PERMISSION OF HASCO COMPONENTS.			MATERIALS:	CAGE CODE:	SCALE:	SIZE:		
							SEE DATA SHEET	0T8L4	N/A	A		
							FINISHES:	PART NO./DRAWING NO.			REV:	
							SEE DATA SHEET	HT18M-2			-	
THIS DRAWING IS A CONTROLLED DOCUMENT												