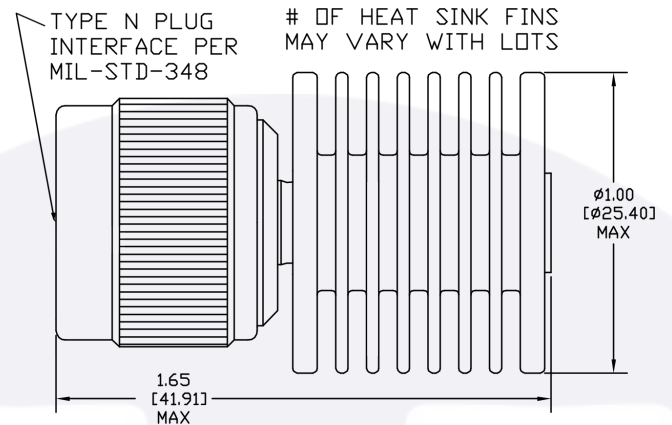




## Type N Termination • DC - 18 GHz • 10 Watts

**Part No: HT18NM-10**



### Electrical

- **Frequency Range** DC - 18 GHz
- **VSWR**  
DC - 4 GHz.....1.10  
4 - 12 GHz .....1.25  
12-18 GHz.....1.40
- **Impedance** 50 Ohms
- **Power** 10 Watt Average  
RMS from -55°C to +60°C  
Case Temp Derates to 10% @ 150°C
- **Power Peak** 100 Watts  
0.1% Duty Cycle or 500 Watts  
10mSec PW, 0.01 Duty Cycle

### Environmental Data

- **Temperature Range** -55°C - +150°C

### Material

- **Dielectric** Teflon/Air Composite-Epoxy  
Captivated
- **Contact** ROHS Brass or BECU, Gold Plated
- **Housing** ROHS Brass, Nickel Plated
- **Resistive Element**  
Proprietary Thin Film Value 50Ω ±5%