

5

4

3

2

1

ELECTRICAL

FREQUENCY RANGE _____ DC-2.5, 6, 12.4 or 18GHz

VSWR

DC - 6GHz _____ 1.20:1 MAX
6 - 12.4GHz _____ 1.30:1 MAX
12.4 - 18GHz _____ 1.40:1 MAX

INPUT POWER _____ 25 WATTS AVG. @ 25°C

DERATED LINEARLY TO 5 WATTS @ 125°C

PEAK POWER _____ 500 WATTS

(5 uSec PULSE, .05% DUTY CYCLE)

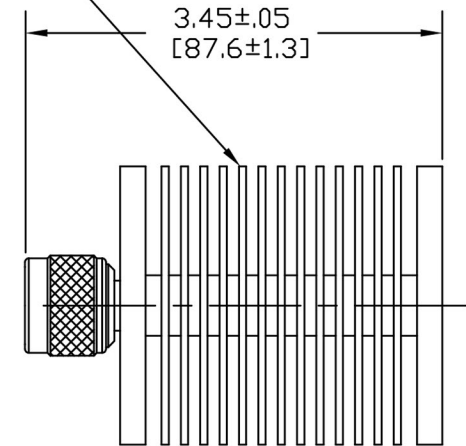
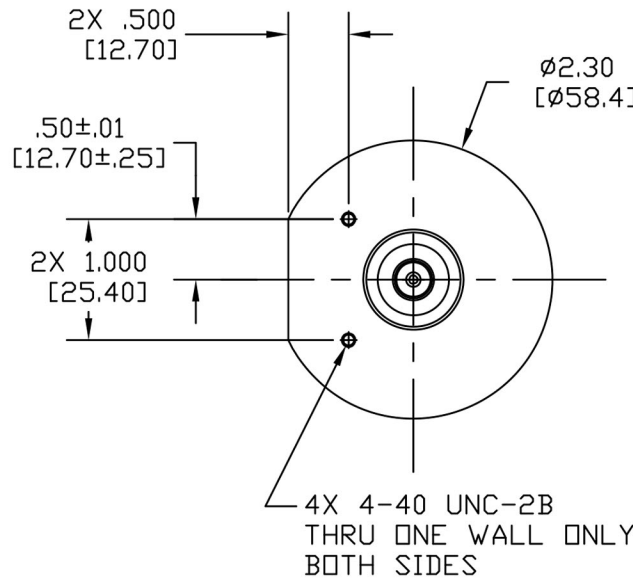
IMPEDANCE _____ 50 OHMS

OPERATING TEMP RANGE _____ -65°C TO +125°C

MECHANICAL

TYPE N CONNECTORS _____ PASSIVATED STAINLESS STEEL
CONDUCTORS _____ GOLD PLATED BERYLLIUM COPPER
HOUSING _____ BLACK ANODIZED ALUMINUM

QUANTITY OF HEATSINK FINS, THICKNESS AND FIN SPACING MAY VARY WITHOUT NOTICE. BASIC SHAPE & OTHER PARAMETERS SHALL REMAIN AS DIMENSIONED.



PRODUCTION RELEASE

NOTE: THIS DRAWING INCORPORATES THIRD ANGLE PROJECTION. INTERPRET IAW ANSI Y14.5-1982

REVISIONS			
LTR	DESCRIPTION	DATE	APPROVED
-	INITIAL RELEASE	2/10/12	T. KUHN

DRAWING PRACTICES PER ANSI-Y-14.5 MIL-STD-100 & 1000	UNLESS OTHERWISE SPECIFIED TOLERANCES IN:	DRAWN T. KUHN DATE 2/10/12
DIMENSIONS ARE IN INCHES AND APPLY BEFORE/AFTER PROCESSING	DECIMALS INCH MM	CHECKED A. GAGNE DATE 2/10/12
SURFACE ROUGHNESS 63 ✓	.X" .05" [.76] .XX" .030" [.25] .XXX" .010 [.127] .XXXX" .0005" [.013]	ENG. T. KUHN DATE 2/10/12
FINISH SEE NOTES	ANGLES ±0°30'	THESE DRAWINGS AND SPECIFICATIONS ARE THE PROPERTY OF HASCO COMPONENTS AND SHALL NOT BE REPRODUCED, COPIED NOR USED - IN WHOLE OR IN PART - AS A BASIS FOR THE MANUFACTURE OR SALE OF OTHER ITEMS WITHOUT THE EXPRESS WRITTEN PERMISSION OF HASCO COMPONENTS
MATERIAL SEE NOTES	REMOVE ALL BURRS/SHARP W/ BREAK / R OF .003" TO .0005" UNLESS OTHERWISE NOTED DIAS CONCENTRIC <.003 T.I.R.	

SIZE B	CAGE CODE 0T8L4	DRAWING NUMBER HT18NM-25
SCALE 1:1	PLATED AREA XXX	SHEET 1 OF 1

HASCO, INC
COMPONENTS DISTRIBUTOR

5214 Bonsai Street
Moorpark, CA
(888) 498-3242
www.hasco-inc.com

TITLE
OUTLINE DRAWING
25 W TERM, TYPE N MALE

SCALE 1:1 **PLATED AREA** XXX **SHEET** 1 OF 1

5

4

3

2

1

BCSI