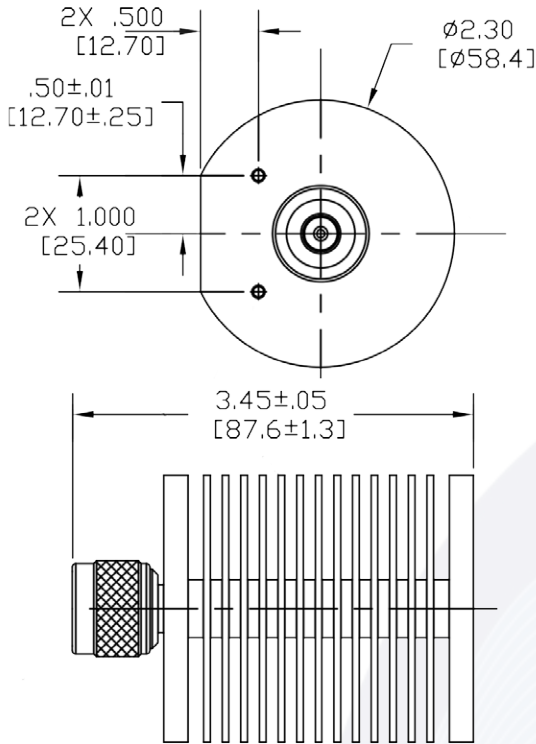




N Male Termination • 25 Watts • DC - 18 GHz

Part No: HT18NM-25



Electrical

- **Frequency Range** DC - 2.5, 6, 12.4 or 18 GHz
- **VSWR** DC - 6 GHz..... 1.20:1
6 - 12.4 GHz 1.30:1
12.4 - 18 GHz 1.40:1
- **Impedance** 50 Ohms
- **Power** 25 Watts Average @25°C
Derates linearly to 5 Watts at 125°C
- **Power Peak** 500 Watts MAX
5 µSec Pulse Width x .05% Duty Cycle

Environmental Data

- **Temperature Range** -65°C - +125°C

Material

- **Contact** Beryllium Copper, Gold Plated
- **Outer Conductor** Passivated Stainless Steel
- **Heat Sink** Black Anodized Aluminum