



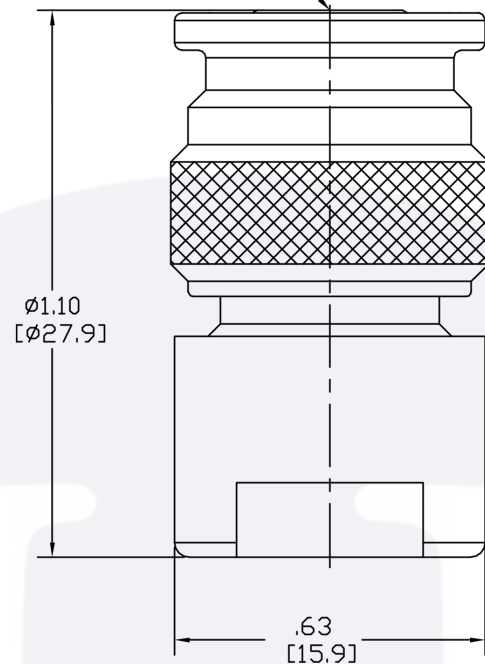
HASCO, INC
COMPONENTS DISTRIBUTOR

TNC Male Termination • DC - 18 GHz • 2 Watts

Part No: HT18TM-2



TNC A INTERFACE
IAW MIL-STD-348



Electrical

- **Frequency Range** DC - 18 GHz (usable to 67GHz)
- **VSWR**
DC - 4 GHz.....1.10
4 - 12.4 GHz1.15
12.4-18 GHz....1.25
- **Impedence** 50 Ohms
- **Power** 2 Watt Average at 25°C
Derated Linearly from 100%
@ $\leq +25^{\circ}\text{C}$ to 10% @ 125°C
- **Power Peak** 500 Watts
<math><5 \mu</math> Sec PW, <math><0.02</math> Duty Cycle

Environmental Data

- **Temperature Range** -55°C - +125°C

Material

- **Dielectric** Teflon
- **Contact** Gold Plated Beryllium Copper
- **Housing** Passivated Stainless Steel
- **Resistive Element** Thin Film on Ceramic Resistor