

REVISIONS				
REV	DESCRIPTION	ECD #	DATE	APPROVED
C	86" WAS .85"	14-150	4-9-14	T. KUHN

**NOTES:**

<b>FREQ:</b>	DC - 4 GHz	
	DC - 12.4 GHz	
	DC - 18 GHz	
<b>VSWR</b>	DC - 6 GHz	1.05 + .015f(GHz)
	6-12.4 GHz	1.25:1 MAX
	12.4-18 GHz	1.35:1 MAX.

CONNECTOR HOUSING PASSIVATED ST. STEEL

CONTACT BE CU, GOLD PLATED

HEATSINK - BLACK ANODIZED ALUMINUM

AVG POWER 10 WATTS

PEAK POWER 500 W (5 microSec, 1% DUTY CYCLE)

POWER DERATES LINEARLY TO 10% AT 125°C FROM 25°C

OPERATING RANGE -65 TO +125

**ORDERING:**

HT18M-10 IS MALE CONNECTOR - FIGURE 1  
HT18F-10 IS FEMALE CONNECTOR - FIGURE 2

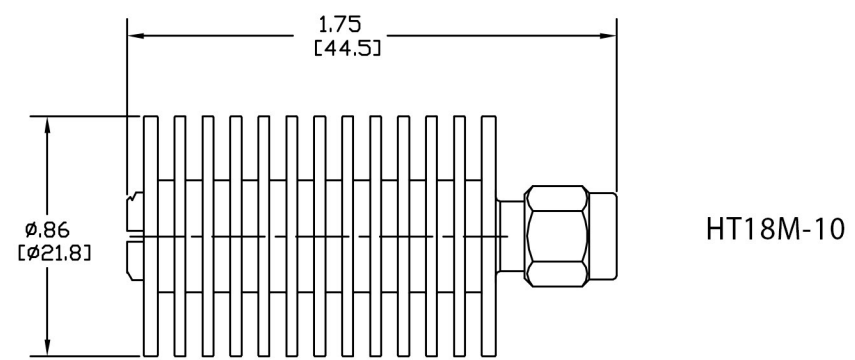


FIGURE 1

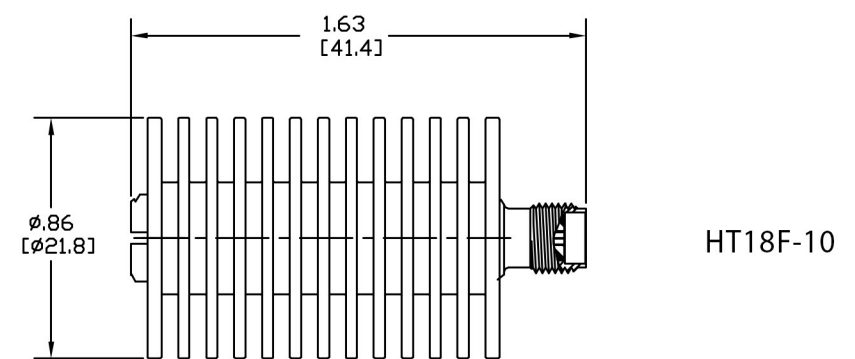


FIGURE 2

DRAWING PRACTICES PER ANSI-Y14.5 UNLESS OTHERWISE SPECIFIED DIMENSIONS ARE IN INCHES AND APPLY BEFORE/AFTER PROCESSING SURFACE FINISH 63 SEE NOTES MATERIALS SEE NOTES NOTE: THIS DRAWING INCORPORATES THIRD ANGLE PROJECTION INTERPRET 3AV ANSI Y14.5-1998	UNLESS OTHERWISE SPECIFIED TOLERANCES IN DECIMALS INCH DIMS .XX" .05" [1.27] .XXX" .03" [76] .XXX" .010" [25] ANGLES ±0°30' REMOVE ALL BURRS/SHARP W/ BREAK / R OF .003" TO .0005" UNLESS OTHERWISE NOTED DIAS CONCENTRIC < .003 T.I.R. DO NOT SCALE PRINT	DRAWN SAUNDERS CHECKED SAUNDERS ENG APPR. SAUNDERS DATE 1-14-10 DATE 1-14-10X	DATE 1-14-10 DATE 1-14-10X	HASCO, INC COMPONENTS DISTRIBUTOR 5214 Bonsai Street Moorpark, CA (888) 496-3242 www.hasco-inc.com
		TITLE 10 WATT, SMA TERMINATION		