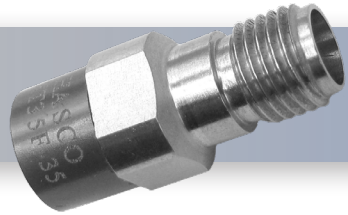


Part No:

HT35F-35



1 Watt RF Load Termination with 3.5mm Female Connector DC-35 GHz

The HASCO **HT35F-35** is an RF termination (also called RF load or dummy load) that operates from DC to 34.5 GHz and handles up to 1 Watt (CW). Our 3.5mm termination/load has a Female gender. **HT35F-35** termination offers 1.15:1 max VSWR DC-35GHz.

The **HT35F-35** is RoHS Compliant.



RF load/terminations are indispensable components in many RF, microwave and millimeter wave systems where signal reflection from unused ports can potentially damage the device or reduce the signal integrity. By using a termination on an unused port with a matched load (dummy load), the incident energy will be absorbed with minimal reflection. These termination components are commonly used to terminate devices such as couplers, circulators, and switches. They are also widely used in measurement systems to ensure accurate results. HASCO offers a huge selection of RF, microwave and millimeter wave terminations up to 65 GHz with excellent performance over the entire operating range and power handling capabilities up to 800 Watt (CW).

Electrical

• Frequency Range	DC - 34.5 GHz
• VSWR	DC - 34.5 GHz 1.15:1
• Impedance	50Ω
• Power	1 Watt Average (-40°C to 70°C Linearly Derated to 0.7 Watt at 105°C)
• Insertion Loss	≤0.03 x √f(GHz) dB
• Insulation Resistance	≥5000MΩ
• Dielectric Withstanding Voltage	1000V rms (sea level)
• Working Voltage	335V rms (sea level)
• RF Leakage	≥100dB to 1GHz

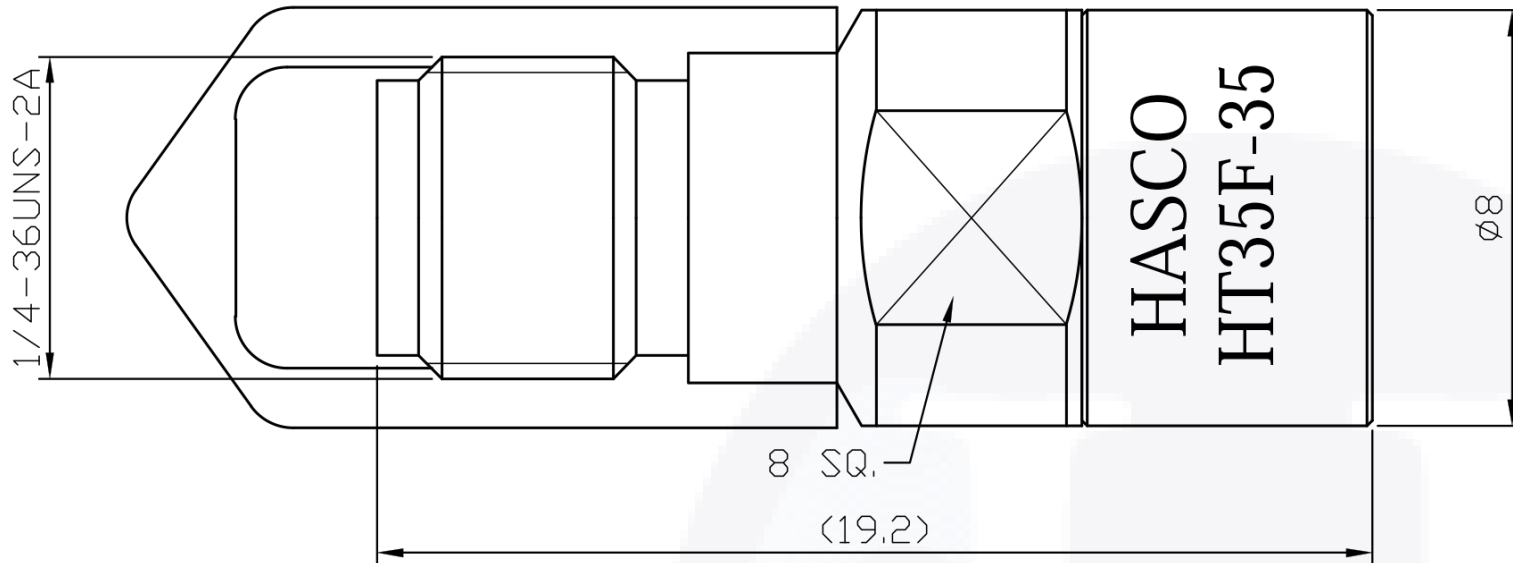
Environmental Data


• Temperature Range	-55°C - +105°C
---------------------	----------------

Material

• Body	Passivated Stainless Steel
• Contact Pin	Beryllium Copper (Plating: Gold 4 Over Nickel-Phosphorus Alloy 80, Over Copper 20)
• Insulator	PPO
• Cover	Aluminium
• Dust Cap	PVC

3.5mm Female Termination | DC - 34.5 GHz • 1 Watts | Outline Drawing



LTR	DESCRIPTION	DATE	APPR.	DRAWN BY: NS	CHECKED BY: JMS	 HASCO, INC COMPONENTS DISTRIBUTOR	5214 Bonsai Street • Moorpark, CA 93021 (888) 498-3242 • sales@hasco-inc.com www.hasco-inc.com			
-	RELEASE	7/21	TAC	APPROVED BY: TAC						
				THESE DRAWINGS AND SPECIFICATIONS ARE THE PROPERTY OF HASCO COMPONENTS AND SHALL NOT BE REPRODUCED, COPIED NOR USED - IN WHOLE OR IN PART - AS THE BASIS FOR THE MANUFACTURE OR SALE OF OTHER ITEMS WITHOUT THE EXPRESS, WRITTEN PERMISSION OF HASCO COMPONENTS.			MATERIALS:	CAGE CODE:	SCALE:	SIZE:
							SEE DATA SHEET	0T8L4	N/A	A
							FINISHES:	PART NO./DRAWING NO.		REV:
							SEE DATA SHEET	HT35F-35		-
THIS DRAWING IS A CONTROLLED DOCUMENT										