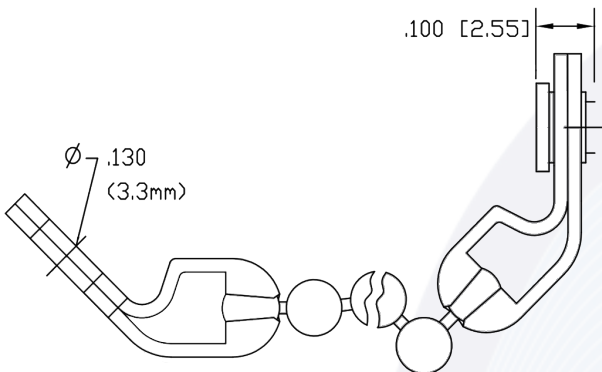
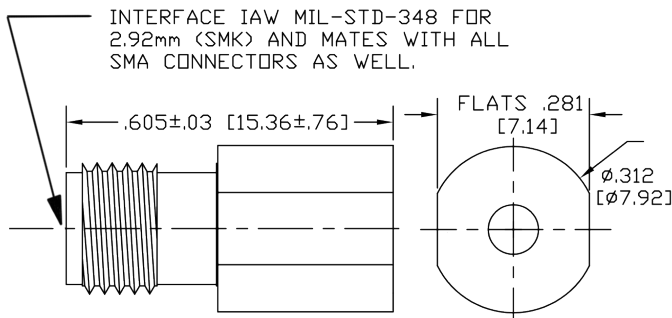




2.92mm Female Termination • DC - 40 GHz • 1 & 2 Watts

Part No: HT40F & HT40F-2



OPTIONAL BEAD CHAIN - 2" MIN (52 mm) LENGTH
ADD "C" TO PART NUMBER TO SPECIFY OPTION

Electrical

- **Frequency Range** DC - 40 GHz
- **VSWR** DC - 40 GHz.....1.25 MAX
- **Impedence** 50 Ohms
- **Power**

HT40F: 1 Watt Average at 25°C
Derated Linearly to 10% @ +125°C

HT40F-2: 2 Watt Average at 25°C
Derated Linearly to 10% @ +125°C

Material

- **Dielectric** High Temperature Plastic Bead
- **Contact** Beryllium Copper, Gold Plated
IAW MIL-PRF-39012
- **Housing** Passivated Stainless Steel
IAW ASTM-A484 & ASTM-A582,
Alloy 303, Cond. A

Environmental Data

- **Temperature Range** -55°C - +125°C
- **Interface** IAW MIL-STD-348 for
2.92 mm (SMK) and
Mates with all SMA
Connectors as well