

MATERIAL & FINISH

- 1 BODY: BRASS, ALBALOY PLATED
- 2 CENTER CONTACT: \A0;PHOSPHOR BRONZE, SILVER PLATED
- 3 INSULATOR: PTFE
- 4 COUPLING NUT: BRASS, ALBALOY PLATED
- 5 GASKTE: MVQ(SILICONE RUBBER)
- 6 RADIATOR: ALUMINIUM, BLACK
- 7 RESISTANCE: BERYLLIUM OXIDE

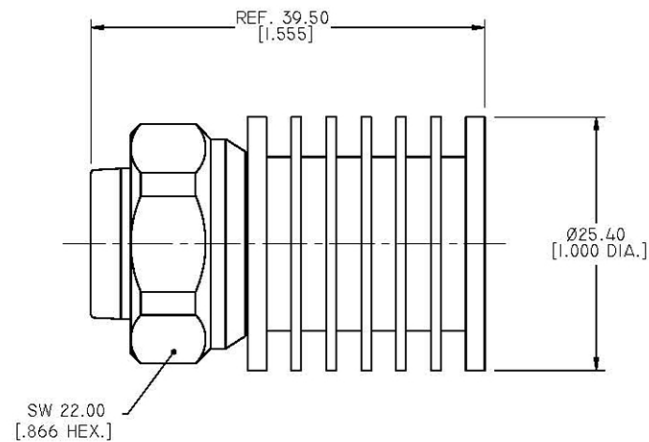
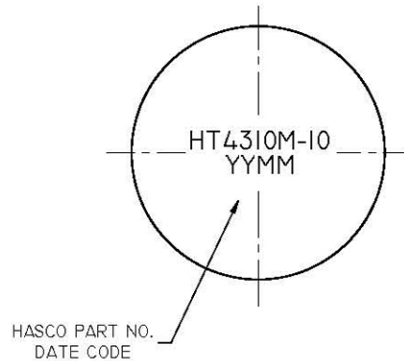
ELECTRICAL DATA:

- 1 IMPEDANCE: 50 OHMS
- 2 FREQUENCY RANGE: DC~8.5 GHZ
- 3 VSWR: 1.15 MAX. AT DC~3 GHZ  
1.25 MAX. AT 3~8.5 GHZ
- 4 AVERAGE POWER: 10 WATTS AVERAGE TO 25°C AMBIENT TEMPRATURE, DERATED LINEARLY TO 1W @ 125°C
- 5 PEAK POWER: 1 KW (5μS PLUSE WIDTH WITH 1% DUTY CYCLE)

ENVIRONMENTAL DATA:

- 1 TEMPERATURE RANGE: -55°C~+125°C
- 2 2011/65/EU (RoHS): COMPLIANT

REVISIONS			
REV.	DESCRIPTION	DATE	APPROVED
A	INITIAL RELEASE	11/16/15	J. QU



NOTES:

- 1 ALL SPECIFICATIONS ARE SUBJECT TO CHANGE WITHOUT NOTICE AT ANY TIME.
- 2 CUSTOMER OUTLINE DRAWING FOR REFERENCE ONLY.
- 3 HIS PRODUCT CONTAINS BERYLLIA CERAMIC INSIDE, WHICH IS POTENTIALLY HARMFUL TO THE ENVIRONMENT. DISPOSE OF CORRECTLY.

DRAWN	X. B. YANG	DATE	11/16/15
CHECKED	L. YANG	DATE	11/16/15
APPROVED	J. QU	DATE	11/16/15
UNLESS OTHERWISE SPECIFIED DIMENSIONS ARE IN MILLIMETERS, DIMENSIONS IN [ ] ARE IN INCHES FOR CUSTOMER REFERENCE ONLY UNLESS OTHERWISE SPECIFIED.		TOLERANCE ARE:	
.XX	±0.13 [ .005"		
.X	±0.20 [ .008"		
X	±0.50 [ .019"		
.X°	±1°		
X°	±2°		
THESE DRAWINGS AND SPECIFICATIONS ARE THE PROPERTY OF HASCO COMPONENTS AND SHALL NOT BE REPRODUCED, COPIED NOR USED - IN WHOLE OR IN PART - AS A BASIS FOR THE MANUFACTURE OR SALE OF OTHER ITEMS WITHOUT THE EXPRESS WRITTEN PERMISSION OF HASCO COMPONENTS			



**HASCO, INC**  
COMPONENTS DISTRIBUTOR

5214 Bonsai Street  
Moorpark, CA  
(888) 498-3242  
www.hasco-inc.com

TITLE  
COAXIAL TERMINATION  
4.3-10 MALE, 10 WATTS, DC~8.5GHZ

VIEW	PART NO. <b>HT4310M-10</b>	
	SIZE A3	SCALE 2:1
	SHEET 1/1	REV. A