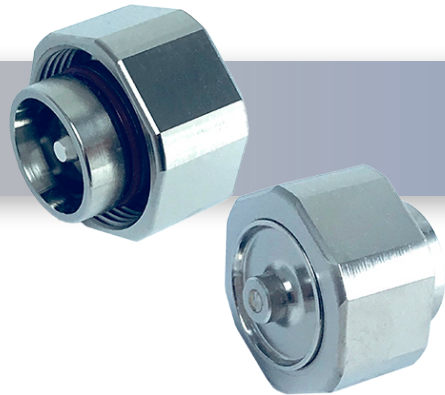


Part No:

HT4310M-2



2 Watt RF Load Termination with 4.3-10 Male Connector DC - 4 GHz

The HASCO **HT4310M-2** is an RF termination (also called RF load or dummy load) that operates from DC to 4 GHz and handles up to 2 Watt (CW). Our 4.3-10 termination/load has a male gender. HT4310M-2 termination offers 1.25:1 max VSWR.

The **HT4310M-2** is RoHS Compliant.



RF load/terminations are indispensable components in many RF, microwave and millimeter wave systems where signal reflection from unused ports can potentially damage the device or reduce the signal integrity. By using a termination on an unused port with a matched load (dummy load), the incident energy will be absorbed with minimal reflection. These termination components are commonly used to terminate devices such as couplers, circulators, and switches. They are also widely used in measurement systems to ensure accurate results. HASCO offers a huge selection of RF, microwave and millimeter wave terminations up to 65 GHz with excellent performance over the entire operating range and power handling capabilities up to 800 Watt (CW).

Electrical

• Frequency Range	DC - 4 GHz
• VSWR	DC - 2 GHz 1.15:1 2 - 4 GHz 1.25:1
• Power	2 Watts
• Durability	500 Cycles
• Impedence	50 Ohms
• DC Resistance	50 ± 1.5 Ohms

Environmental Data

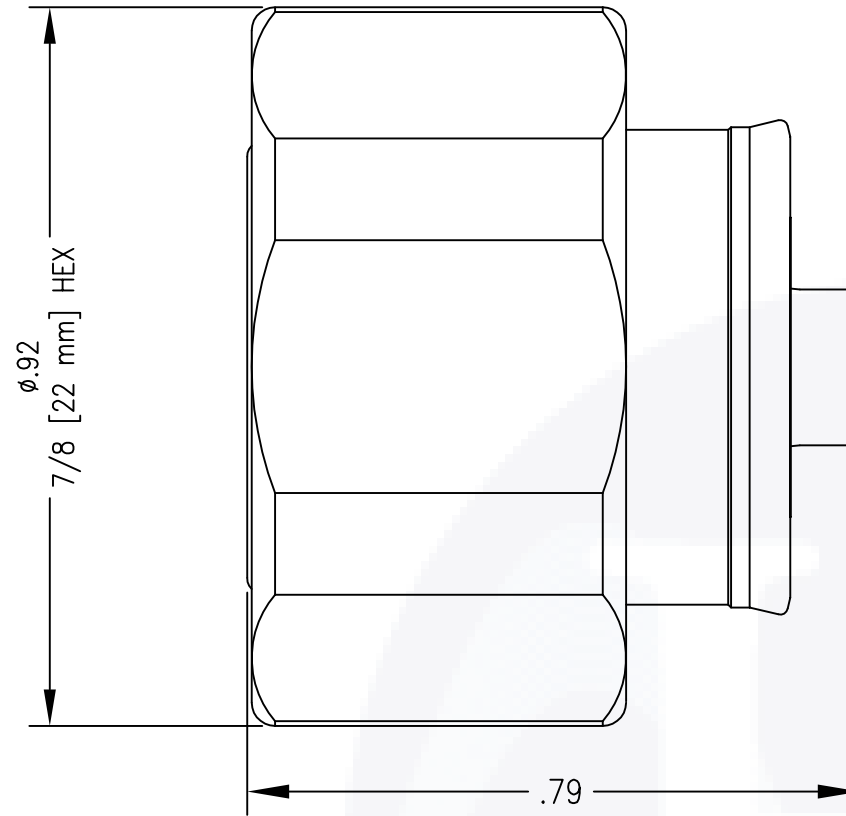
• Temperature Range	-60°C - +125°C
---------------------	----------------

Material


• Insulator	pSeries
• Center Contact	Brass
• Body	Brass
• Coupling Nut	Brass
• Gasket	Si Rubber
• Solder	Sn63Pb37

To view online, go to: <https://www.hasco-inc.com/terminations/2-watt-rf-load-termination-with-4-3-10-male-connector-dc-4-ghz/>

HT4310M-2 | DC - 4 GHz • 2 Watts | Outline Drawing



To view online, go to: <https://www.hasco-inc.com/terminations/2-watt-rf-load-termination-with-4-3-10-male-connector-dc-4-ghz/connector-dc-4-ghz/>

LTR	DESCRIPTION	DATE	APPR.	DRAWN BY: ABC	CHECKED BY: ABC		5214 Bonsai Street • Moorpark, CA 93021 (888) 498-3242 • sales@hasco-inc.com www.hasco-inc.com		
-	RELEASE	12/16	TAC	APPROVED BY: ABC					
				THESE DRAWINGS AND SPECIFICATIONS ARE THE PROPERTY OF HASCO COMPONENTS AND SHALL NOT BE REPRODUCED, COPIED NOR USED - IN WHOLE OR IN PART - AS THE BASIS FOR THE MANUFACTURE OR SALE OF OTHER ITEMS WITHOUT THE EXPRESS, WRITTEN PERMISSION OF HASCO COMPONENTS.		MATERIALS:	CAGE CODE:	SCALE:	SIZE:
						SEE DATA SHEET	0T8L4	N/A	A
						FINISHES:	PART NO./DRAWING NO.		REV:
						SEE DATA SHEET	HT4310M-2		-
THIS DRAWING IS A CONTROLLED DOCUMENT									