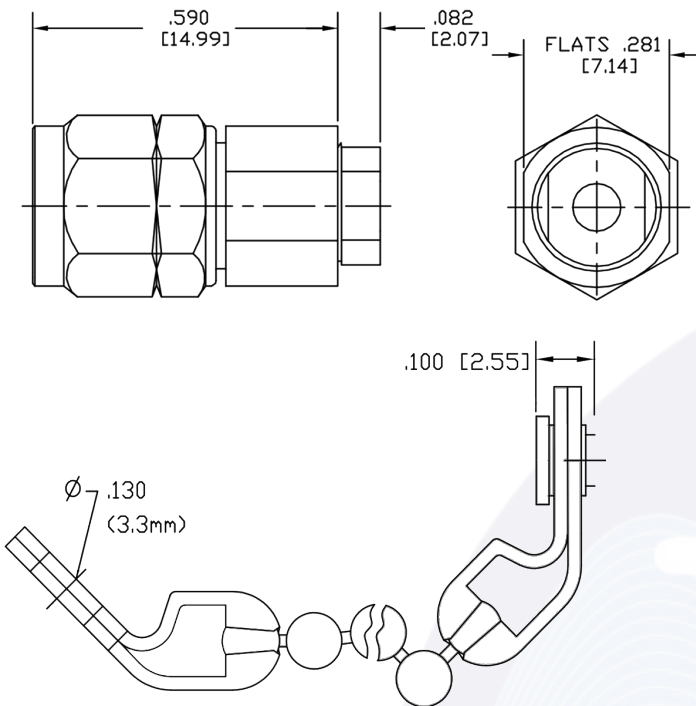




2.40mm Male Termination • DC - 50 GHz • 1 & 2 Watts

Part No: HT50M & HT50M-2



OPTIONAL BEAD CHAIN - 2" MIN (52 mm) LENGTH
ADD "C" TO PART NUMBER TO SPECIFY OPTION



Electrical

- **Frequency Range** DC - 50 GHz
- **VSWR (MAX)** DC - 18 GHz.....1.15:1
18 - 35 GHz1.30:1
35 - 50 GHz1.45:1
- **Impedance** 50 Ohms
- **Power** **HT50M:** 1 Watt Average at 25°C
Derated Linearly to 10% @ +100°C
HT50M-2: 2 Watt Average at 25°C
Derated Linearly to 10% @ +100°C

Environmental Data

- **Temperature Range** -55°C - +100°C
(Operating and Storage)

Material

- **Dielectric** High Temperature Plastic Bead
- **Contact** Beryllium Copper, Gold Plated IAW MIL-PRF-39012
- **Housing** Passivated Stainless Steel IAW ASTM-A484 & ASTM-A582, Alloy 303, Cond. A